



### **Polished Chrome**

The integrity of solid brass plated in highly polished chrome for a stunning mirror smooth finish lends authenticity to modern retro designs and futuristic high tech settings.

### **Satin Nickel**

The perfect design solution for applications when both silver tones and an aura of understated sophistication are needed.



**Model:  
WL-V-125000-ZZ**

**Description**

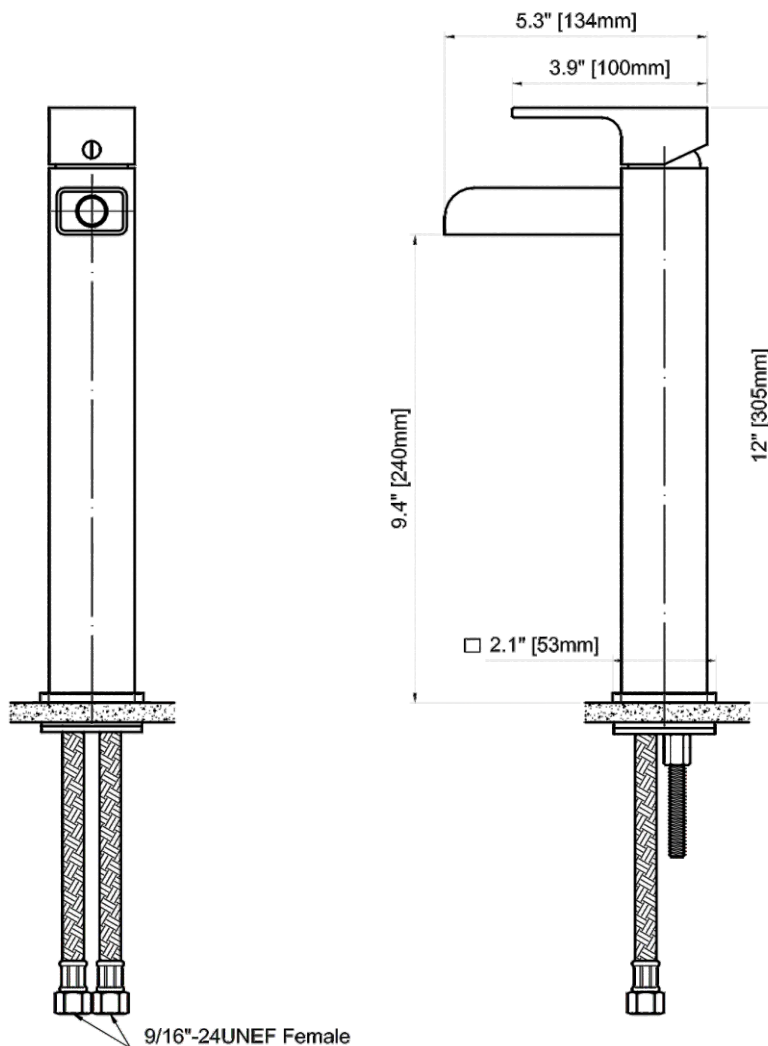
- Vessel Filler Faucet
- 35mm Ceramic Cartridge (NTK Ceramic Disc)
- Brass Waterway, Brass Spout
- Water Saving 2.2 GPM Aerator (1.5 GPM Optional)
- Metal Lever Handle (ADA)
- 3/8" Comp x 24" C/H S.S. Braided Supply Hose
- With Locking Nut Mechanism

**Compliance**

- Complies with the requirements of CUPC
- Complies with NSF
- Complies with AB1953
- Complies with ASME

**Warranty**

- Limited Lifetime Warranty



## Model: WL-V-125000-ZZ

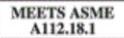
### Available Finishes

- Chrome (CP)
- Satin Nickel (SN)

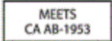
### Standards



- IAPMO UPC/CUPC
- NSF 61-9



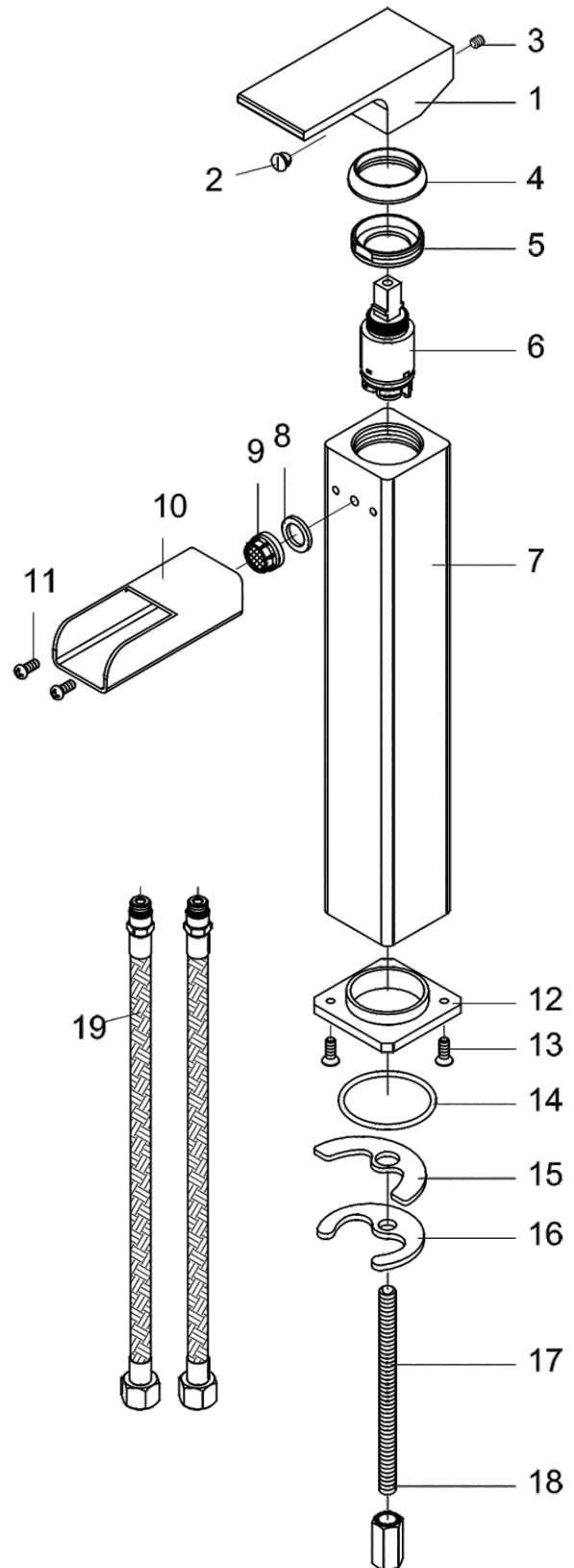
- ASME A112.18.1



- CAAB-1953



- ADA Accessibility Guidelines



NO.	PART TITLE	MATERIAL	Q'TY	PART NO.
1	HANDLE	BRASS	1	
2	HANDLE COVER	ABS	1	
3	HANDLE SCREW	STAINLESS	1	
4	CAP	BRASS	1	
5	ADJSTRING	BRASS	1	
6	CERAMIC BODY	ABS,CERAMIC	1	
7	FAUCET BODY	BRASS	1	
8	WASHER	NBR	1	
9	AERATOR CAP	BRASS	1	
10	SPOUT	BRASS	1	
11	SET SCREW	STAINLESS	2	
12	BASE	ZINC	1	
13	SET SCREW	STAINLESS	2	
14	O-RING	NBR	1	
15	WASHER	NBR	1	
16	WASHER	STEEL	1	
17	BOLT	STAINLESS	1	
18	LOCK NUT	BRASS	1	
19	HOSE	STAINLESS,PVC	2	
20				
21				
22				

# Instruction Sheet

Please read carefully before installation.

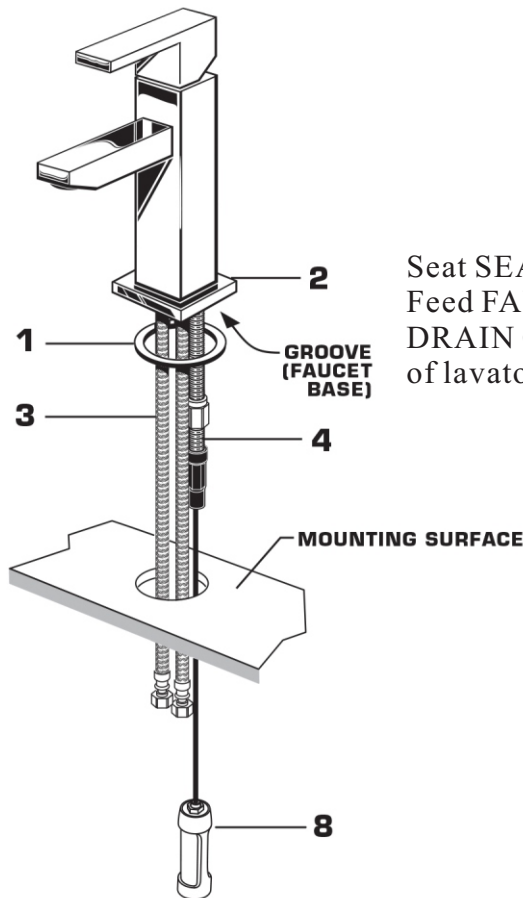


**Model Number:**

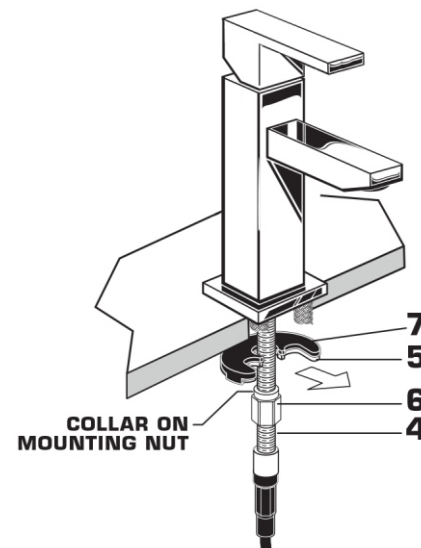
WL-V-125000-CP

WL-V-125000-SN

## INSTALLATION STEPS:



Seat SEAL [1] into under side of FAUCET BASE [2]. Feed FAUCET SUPPLIES [3], MOUNTING STUD [4] and DRAIN CABLE ASSEMBLY [8] through the mounting hole of lavatory or mounting surface.



From below, push GASKET [7] and RETAINING WASHER [5] onto MOUNTING STUD [4]. Secure Faucet with MOUNTING NUT [6], pulling faucet to front of sink, so SUPPLIES [3] rests against mounting hole. Before final tightening, make sure collar on MOUNTING NUT [6] is seated into RETAINING WASHER [5].

Adjust Faucet so that it is centered. Tighten MOUNTING NUT [6] to complete faucet mounting

### Maintenance:

Your new faucet is designed for years of trouble-free performance. Keep it looking new by cleaning it periodically with a soft cloth. Avoid abrasive cleaners, steel wool and harsh chemicals as these will dull the finish and void your warranty.