

ADA-922

Drop-In Kitchen

Features

- Certified Gauge 304 Grade Surgical Stainless Steel
- Available in 3 and 4-hole configurations (4-hole shown)
- Drop-In Style
- Rear Drain
- ADA-Compliant
(when installed according to ADA mounting guidelines)
- Dual Compartments
- Rounded Bowls
- Unique sound-deadening system with sound pads and a special coating
- Lustrous and enduring finish which compliments any decor
- Limited lifetime warranty



--- Dimensions ---	
Outer:	33" x 22" x 6"
Inner:	30-1/4" x 15-3/4" x 6"
Left Bowl:	14-1/8" x 15-3/4" x 6"
Right Bowl:	14-1/8" x 15-3/4" x 6"

Model	Description	Colors / Finishes
ADA-922	Drop-In Sink	N/A

Included Components

- Mounting Clips
- Cut-out template

Colors / Finishes

- N/A None Applicable

Optional Accessories

- Standard Strainer
- Premium Strainer
- Sink Grid

Codes / Standards Applicable

Specified model meets or exceeds the following:

- UPC Certified
- CSA Certified



Product Specification

This ADA-Compliant sink shall be a dual compartment with rounded bowls. It shall be 33" in length and 22" in width, with each bowl having a depth of 6". Sink shall be made of 304 Grade Surgical Stainless Steel. Sink shall be ADA-Compliant when installed according to ADA mounting guidelines. Sink shall include cut-out template. Sink shall be Model ADA-922.

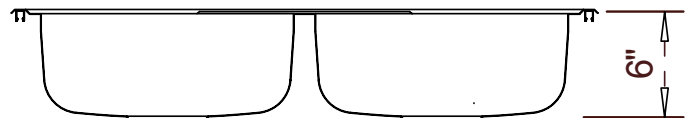
TECHNICAL INFORMATION

Fixture*	
Overall Inner Area	30-1/4" x 15-3/4"
Left Bowl Basin Area	14-1/8" x 15-3/4"
Right Bowl Basin Area	14-1/8" x 15-3/4"
Left Bowl Water Depth	6"
Right Bowl Water Depth	6"
Drain Hole (Each Bowl)	3-5/8" D
*Approximate measurements for comparison only.	

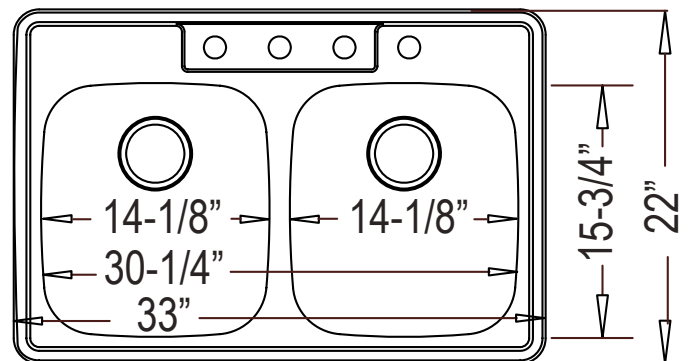


Product Image

Front View



Top View



Product Diagram