

LI-200-L

Features

- Certified 304 Grade Stainless Steel.
- Under Counter installation.
- Single Compartment
- Rounded Bowl
- Unique sound-deadening system with sound pads and a special coating.
- Lustrous and enduring finish which compliments any decor.
- Limited lifetime warranty.

Undercounter Kitchen



--- Dimensions ---	
Outer	34" x 19"
Inner	32" x 17"
Depth	10"

Model	Description	Colors / Finishes
LI-200-L	Undercounter Sink	Brushed Nickel Deck

Included Components

- Grid
- Deluxe Drain
- Colander
- Cutout template
- Mounting Hardware

Colors / Finishes

- N/A None Applicable

Optional Accessories

- N/A (All accessories included)

Codes / Standards Applicable

Specified model meets or exceeds the following:

- Warnock Hersey Certified

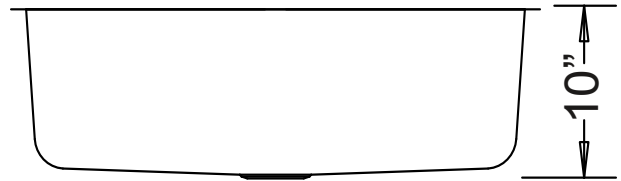
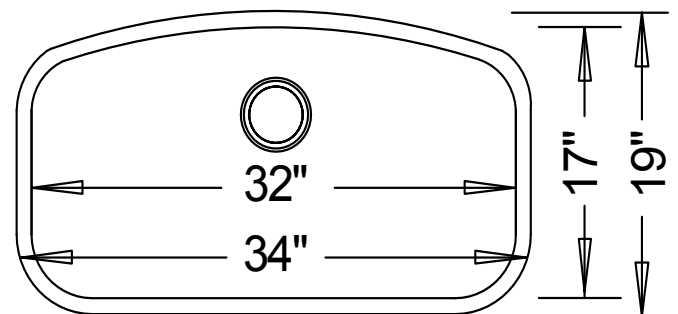


Product Specification

This undercounter sink shall be a single compartment with rounded bowl. Sink shall be 34" in length and 19" in width, with a bowl depth of 10". Sink shall be made of certified 304 grade stainless steel, with 16 gauge bowls and 15 gauge mounting rims. Sink shall include grid, deluxe drain, colander and installation cutout template. Sink shall be C-Tech Model LI-200-L.

TECHNICAL INFORMATION

Fixture*	
Basin Area	32" x 17"
Water Depth	10"
Drain Hole	3-5/8" dia.
*Approximate measurements for comparison only.	

**Product Image****Front View****Top View****Product Diagram**