

Features

- Certified 304 Grade Stainless Steel.
- Under Counter installation.
- Dual Compartments
- Rounded Bowls
- Unique sound-deadening system with sound pads and a special coating.
- Lustrous and enduring finish which compliments any decor.
- Limited lifetime warranty.

Undercounter Kitchen



--- Dimensions ---	
Outer	34" x 19"
Left Bowl	15-3/4" x 17"
Right Bowl	15-3/4" x 17"
Depth (Left)	10"
Depth (Right)	10"

Model	Description	Colors / Finishes
LI-200	Undercounter Sink	Brushed Nickel Deck

Included Components

- Grid Set
- Single Deluxe Drain
- Colander
- Cutout template
- Mounting Hardware

Optional Accessories

- N/A (All accessories included)

Colors / Finishes

- N/A None Applicable

Codes / Standards Applicable

Specified model meets or exceeds the following:

- Warnock Hersey Certified



Product Specification

This undercounter sink shall be a dual compartment with rounded bowls. Sink shall be 34" in length and 19" in width, with each bowl having a depth of 10". Sink shall be made of certified 304 grade 16 gauge stainless steel. Sink shall include grid set, single deluxe drain, colander and installation cutout template. Sink shall be C-Tech Model LI-200.

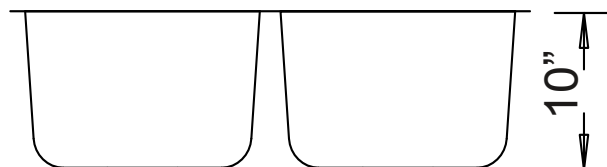
TECHNICAL INFORMATION

Fixture*	
Basin Area (Left Bowl)	15-3/4" x 17"
Basin Area (Right Bowl)	15-3/4" x 17"
Water Depth (Left Bowl)	10"
Water Depth (Right Bowl)	10"
Drain Hole (Each Bowl)	3-5/8" dia.
*Approximate measurements for comparison only.	

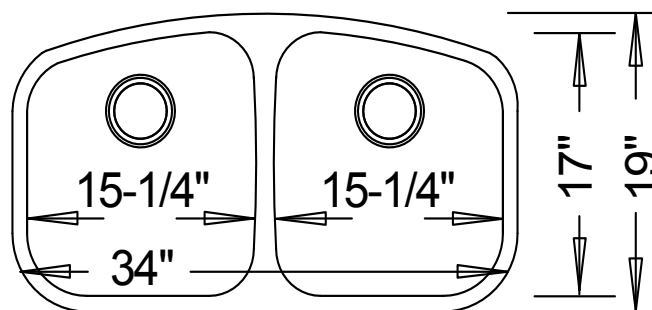


Product Image

Front View



Top View



Product Diagram