

LI-2200-S

Farmhouse Kitchen

Features

- Certified 304 Grade Stainless Steel.
- Farmhouse Style.
- Dual Compartments.
- Zero-Radius Inside Corners.
- Unique sound-deadening system with sound pads and a special coating.
- Lustrous and enduring finish which compliments any decor.
- Limited lifetime warranty.



| --- Dimensions --- | |
|--------------------|-------------------|
| Outer | 33-1/2" x 20-1/2" |
| Left Bowl | 15-1/4" x 15-1/2" |
| Right Bowl | 15-1/4" x 15-1/2" |
| Depth (Left) | 10" |
| Depth (Right) | 10" |

| Model | Description | Colors / Finishes |
|-----------|----------------|---------------------|
| LI-2200-S | Farmhouse Sink | Brushed Nickel Deck |

Included Components

- Grid Set
- Single Deluxe Drain
- Colander
- Cutout template
- Mounting Hardware

Colors / Finishes

- N/A None Applicable

Optional Accessories

- N/A (All accessories included)

Codes / Standards Applicable

Specified model meets or exceeds the following:

- Warnock Hersey Certified



Product Specification

This farmhouse sink shall have dual compartments with bowls featuring zero-radius inside corners. Sink shall be 33-1/2" in length and 20-1/2" in width, with each bowl having a depth of 10". Sink shall be made of certified 304 grade 16 gauge stainless steel. Sink shall include grid, deluxe drain, Colander and installation cutout template. Sink shall be C-Tech Model LI-2200-S.

TECHNICAL INFORMATION

| Fixture* | |
|--|-------------------|
| Basin Area (Left Bowl) | 15-1/4" x 15-1/2" |
| Basin Area (Right Bowl) | 15-1/4" x 15-1/2" |
| Water Depth (Left Bowl) | 10" |
| Water Depth (Right Bowl) | 10" |
| Drain Hole (Each Bowl) | 3-5/8" dia. |
| *Approximate measurements for comparison only. | |

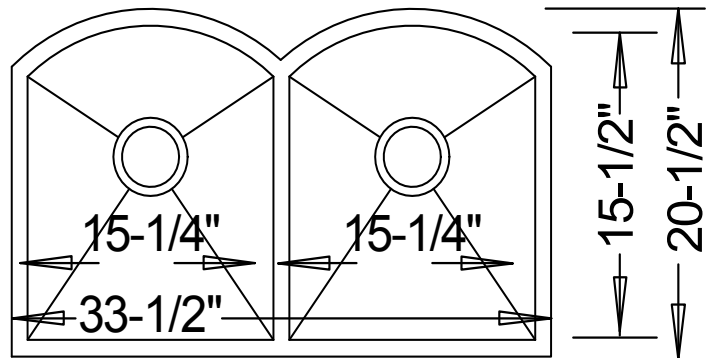


Product Image

Front View



Top View



Product Diagram