

“Bulb”

Vessel Vanity

Features

- Genuine Vitreous China
- Counter Surface Installation
- Single Compartment
- Round Bowl



Dimensions

Outer: 19-1/2” diameter x 5-1/4”
Inner: 14-1/2” diameter x 4-1/2”

Model Number	Description	Color / Finish
CH9110	Vessel Vanity Sink	White
CH9120	Vessel Vanity Sink	Bisque
CH9130	Vessel Vanity Sink	Black

Included Components

- Cut-out template

Available Colors



Optional Accessories

- Pop-Up Drain
- Mounting Clips

Product Specification

The vessel vanity sink shall be 19-1/2” in diameter, with an overall depth of 5-1/4” and a bowl depth of 4-1/2”. Sink shall be a single compartment with round bowl, composed of Vitreous China. Sink shall be Continental Model “Bulb”.

TECHNICAL INFORMATION

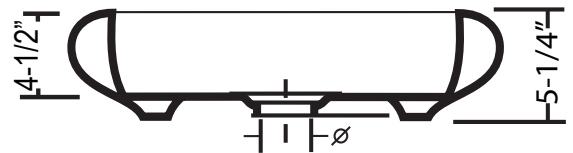
Fixture*	
Basin Area	14-1/2" diameter
Water Depth	4-1/2"
Drain Hole	1-7/8" D
*Approximate measurements for comparison only.	

Please note: All porcelain sinks are fired at a very high temperature; final dimensions may vary slightly.

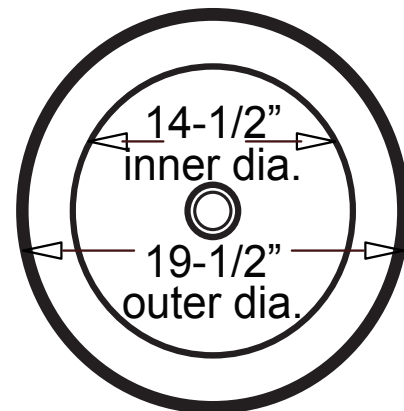


Installed Product Image

Side View



Top View



Product Diagram