

Vessel Vanity

Features

- Genuine Vitreous China
- Counter Surface Installation
- Single Compartment
- Rectangular Shaped Bowl



Dimensions

Outer: 18-3/4" x 13-1/4" x 5-1/2"

Inner: 17-3/4" x 12-1/4" x 4-1/2"

Model Number	Description	Color / Finish
CH7110	Vessel Vanity Sink	White
CH7120	Vessel Vanity Sink	Bisque
CH7130	Vessel Vanity Sink	Black

Included Components

- Cut-out template

Available Colors



Optional Accessories

- Pop-Up Drain
- Mounting Clips

Product Specification

The Vessel sink shall be 18-3/4" in width and 13-1/4" in length, with an overall depth of 5-1/2" and a bowl depth of 4-1/2".

Sink shall be a single compartment with rectangular bowl, composed of Vitrious China.

Sink shall be Continental Model "Tub".

TECHNICAL INFORMATION

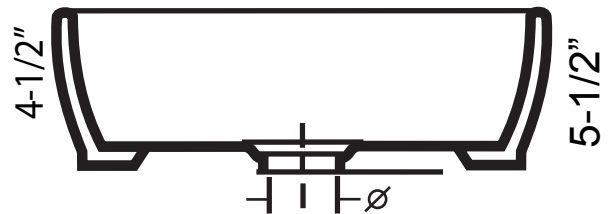
Fixture*	
Basin Area	17-3/4" x 12-1/4"
Water Depth	4-1/2"
Drain Hole	1 7/8" D
*Approximate measurements for comparison only.	

Please note: All porcelain sinks are fired at a very high temperature; final dimensions may vary slightly.

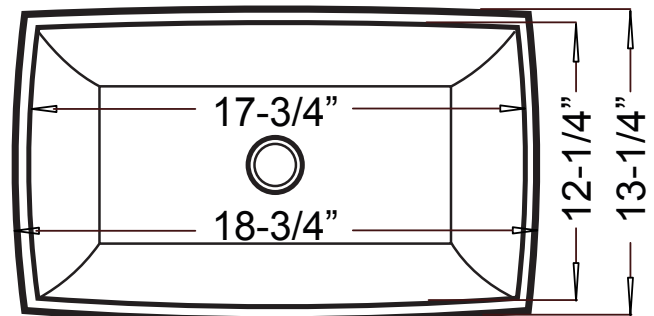


Installed Product Image

Side View



Top View



Product Diagram