

“Tulip”

Drop-In Vanity

Features

- Genuine Vitreous China
- Drop-In
- Single Compartment
- Round Bowl



Dimensions

Outer: 17-1/2" x 14-1/4" x 7"

Inner: 15" x 12-1/4" x 5"

Model Number	Description	Color / Finish
CH500	Drop-In Sink	White
CH510	Drop-In Sink	Bisque
CH520	Drop-In Sink	Black

Included Components

- Cut-out template

Available Colors



Optional Accessories

- Pop-Up Drain
- Mounting Clips

Codes / Standards Applicable

Specified model meets or exceeds UPC certification



Product Specification

The drop-in vanity sink shall be 17-1/2" in width and 14-1/4" in length, with an overall depth of 7" and a bowl depth of 5".

Sink shall be a single compartment with round bowl, composed of Vitrious China.

Sink shall be Continental Model "Tulip".

TECHNICAL INFORMATION

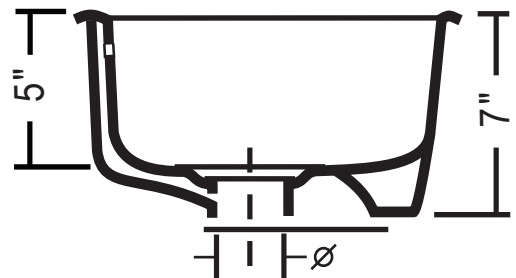
Fixture*	
Basin Area	15" x 12-1/4"
Water Depth	5"
Drain Hole	1-7/8" D
*Approximate measurements for comparison only.	

Please note: All porcelain sinks are fired at a very high temperature; final dimensions may vary slightly.

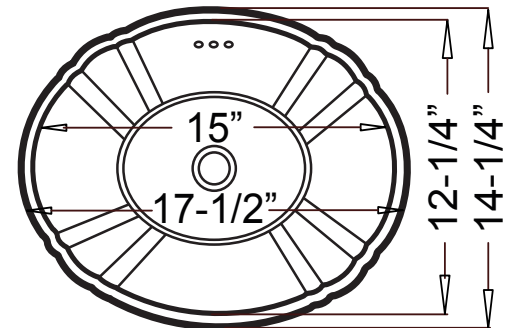


Installed Product Image

Front View



Top View



Product Diagram