

“Fairfield”

Features

- Certified 304 Grade 15 gauge stainless steel.
- Handmade farmhouse design.
- Dual compartments.
- Available in either “Zero Edge”, or R15mm rounded “Radial” inside corners.
- Unique sound-deadening system with sound pads and a special coating.
- Lustrous and enduring finish which compliments any decor.
- Limited lifetime warranty.

“Handmade” Farmhouse Kitchen



Shown with “Zero-Edge” corners

--- Dimensions ---

Outer

29” x 20” x 10”

Left Bowl

13” x 18” x 10”

Right Bowl

13” x 18” x 10”

Model	Description	Colors / Finishes
HBE2920-N - “Fairfield”	Handmade Farmhouse Sink with “Zero Edge” Corners	N/A
HR-HBE2920B-N - “Fairfield Radial”	Handmade Farmhouse Sink with R15mm inside “Radial” Corners	N/A

Included Components

- Mounting Clips
- Cut-out template

Colors / Finishes

- N/A None Applicable

Optional Accessories

- Sink Grid #GD-131
(Two Needed for Set)
- LI-XD Strainer w/ Basket

Codes / Standards Applicable

Specified model meets or exceeds the following:

- UPC Certified



Product Specification

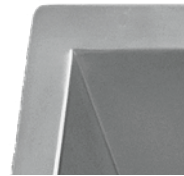
This handmade farmhouse sink shall be a dual compartment with rectangular bowls, featuring either “Zero-Edge”, or R15mm rounded “Radial” inside corners. Sink shall be 29” in length and 20” in width, with each bowl having a depth of 10”. Sink shall be made of 15 gauge stainless steel. Sink shall include installation hardware. Sink shall be Homeplace Models HBE2920-N, “Fairfield”, and HR-HBE2920B-N, “Fairfield Radial”.

TECHNICAL INFORMATION

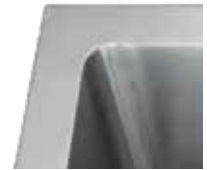
Fixture*	
Basin Area (Left Bowl)	13" x 10"
Basin Area (Right Bowl)	13" x 10"
Water Depth (Left Bowl)	10"
Water Depth (Right Bowl)	10"
Drain Hole (Each Bowl)	3-5/8" D
*Approximate measurements for comparison only.	



Product Image
(Shown with “Zero-Edge” corners)

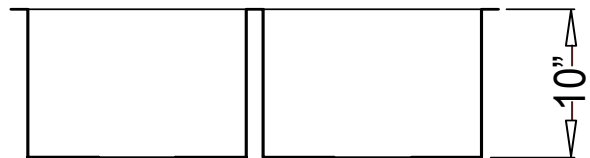


**“Zero-Edge”
Corner Detail**

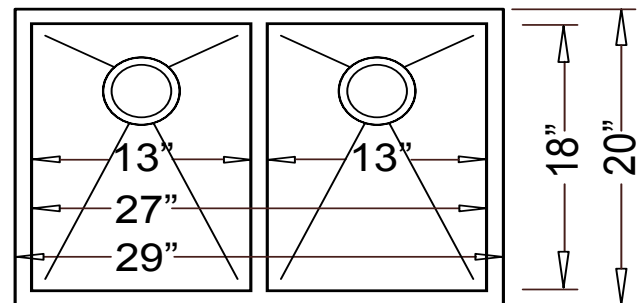


**R15mm “Radial”
Corner Detail**

Front View



Top View



Product Diagram
(Shown with “Zero-Edge” corners)