

“Jasper”

Features

- Certified 304 Grade 15 gauge stainless steel.
- Handmade farmhouse design.
- Single compartment.
- Available in either “Zero Edge”, or R15mm rounded “Radial” inside corners.
- Unique sound-deadening system with sound pads and a special coating.
- Lustrous and enduring finish which compliments any decor.
- Limited lifetime warranty.

“Handmade” Farmhouse Kitchen



Shown with “Zero-Edge” corners

--- Dimensions ---

Outer

32” x 19” x 10”

Inner

30” x 17” x 10”

Model	Description	Colors / Finishes
HBS3219-N-N - “Jasper”	Handmade Farmhouse Sink with “Zero Edge” Corners	N/A
HR-HBS3219B-N - “Jasper Radial”	Handmade Farmhouse Sink with R15mm inside “Radial” Corners	N/A

Included Components

- Mounting Clips
- Cut-out template

Colors / Finishes

- N/A None Applicable

Optional Accessories

- Sink Grid #GD-125
- LI-XD Strainer w/ Basket

Codes / Standards Applicable

Specified model meets or exceeds the following:

- UPC Certified



Product Specification

This handmade farmhouse sink shall be a single compartment with rectangular bowl, featuring either “Zero-Edge”, or R15mm rounded “Radial” inside corners. Sink shall be 32” in length and 19” in width, with a bowl depth of 10”.

Sink shall be made of 15 gauge stainless steel. Sink shall include installation hardware.

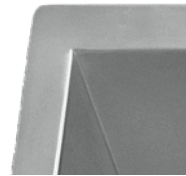
Sink shall be Homeplace Models HBS3219-N-N, “Jasper”, and HR-HBS3219B-N, “Jasper Radial”.

TECHNICAL INFORMATION

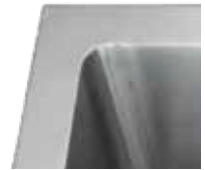
Fixture*	
Basin Area	30" x 17"
Water Depth	10"
Drain Hole	3-5/8" D
*Approximate measurements for comparison only.	



Product Image
(Shown with “Zero-Edge” corners)



“Zero-Edge”
Corner Detail

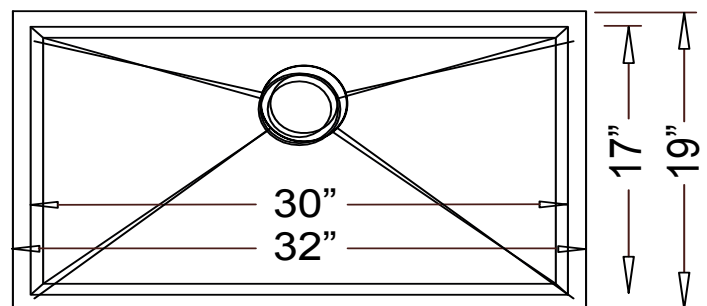


R15mm “Radial”
Corner Detail

Front View



Top View



Product Diagram
(Shown with “Zero-Edge” corners)