

“Marshall”

Features

- Certified 304 Grade 15 Gauge Stainless Steel.
- Handmade Farmhouse Apron Design.
- Single Compartment.
- Available in either “Zero Edge”, or R15mm rounded “Radial” inside corners.
- Unique sound-deadening system with sound pads and a special coating.
- Lustrous and enduring finish which compliments any decor.
- Limited lifetime warranty.

Farmhouse Apron Kitchen



Shown with “Zero-Edge” corners

--- Dimensions ---

Outer

33” x 20-3/4” x 10”

Inner

30” x 16” x 10”

Model	Description	Colors / Finishes
EFS3321 - “Marshall”	Handmade Farmhouse Sink with “Zero Edge” Corners	N/A
HR-EFS3321B - “Marshall Radial”	Handmade Farmhouse Sink with R15mm inside “Radial” Corners	N/A

Included Components

- Mounting Clips
- Cut-out template
- Grid
- LI-XD Strainer

Colors / Finishes

- N/A None Applicable

Codes / Standards Applicable

Specified model meets or exceeds the following:

- UPC Certified



Product Specification

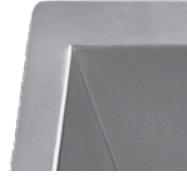
This handmade farmhouse apron sink shall be a single compartment with rectangular bowl, featuring either “Zero-Edge”, or R15mm rounded “Radial” inside corners. Sink shall be 33” in length and 20-3/4” in width, with a bowl depth of 10”.

Sink shall be made of 15 gauge stainless steel. Sink shall include installation hardware, grid, and drain.

Sink shall be Homeplace Models EFS3321, “Marshall”, and HR-EFS3321B, “Marshall Radial”.

TECHNICAL INFORMATION

Fixture*	
Basin Area	30" x 16"
Water Depth	10"
Drain Hole	3-5/8" D
*Approximate measurements for comparison only.	



“Zero-Edge”
Corner Detail

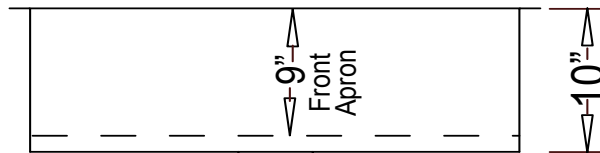


R15mm “Radial”
Corner Detail

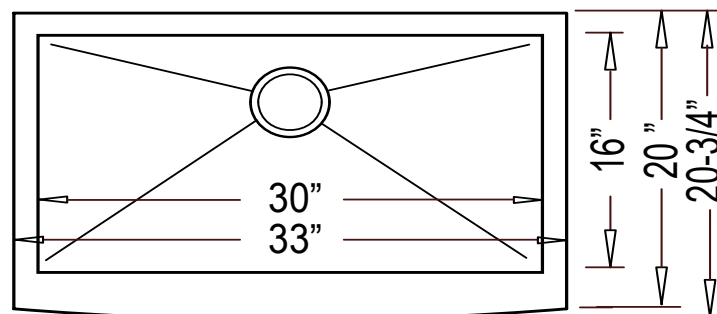


Product Image
(Shown with “Zero-Edge” corners)

Front View



Top View



Product Diagram
(Shown with “Zero-Edge” corners)