

Features

- Certified 304 Grade 15 gauge stainless steel.
- Handmade farmhouse design.
- Single compartment.
- Rectangular Bowl.
- Available in either “Zero Edge”, or R15mm rounded “Radial” inside corners.
- Unique sound-deadening system with sound pads and a special coating.
- Lustrous and enduring finish which compliments any decor.
- Limited lifetime warranty.

“Handmade” Farmhouse Kitchen



Shown with “Zero-Edge” corners

--- Dimensions ---

Outer

19” x 20” x 10”

Inner

17” x 18” x 10”

Model	Description	Colors / Finishes
HBB1920-N - “Rusk”	Handmade Farmhouse Sink with “Zero Edge” Corners	N/A
HR-HBB1920B-N - “Rusk Radial”	Handmade Farmhouse Sink with R15mm inside “Radial” Corners	N/A

Included Components

- Mounting Clips
- Cut-out template

Colors / Finishes

- N/A None Applicable

Optional Accessories

- Sink Grid #GD-132
- LI-XD Strainer w/ Basket

Codes / Standards Applicable

Specified model meets or exceeds the following:

- UPC Certified



Product Specification

This handmade farmhouse sink shall be a single compartment with rectangular bowl, featuring either “Zero-Edge”, or R15mm rounded “Radial” inside corners. Sink shall be 19” in length and 20” in width, with a bowl depth of 10”.

Sink shall be made of 15 gauge stainless steel. Sink shall include installation hardware.

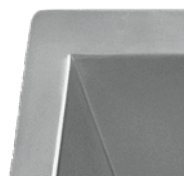
Sink shall be Homeplace Models HBB1920-N, “Rusk”; and HR-HBB1920B-N, “Rusk Radial”.

TECHNICAL INFORMATION

Fixture*	
Basin Area	17" x 18"
Water Depth	10"
Drain Hole	3-5/8" D
*Approximate measurements for comparison only.	



Product Image
(Shown with “Zero-Edge” corners)

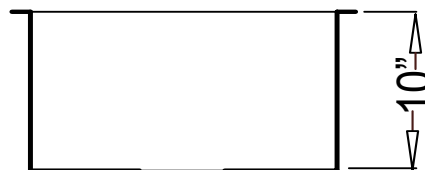


**“Zero-Edge”
Corner Detail**

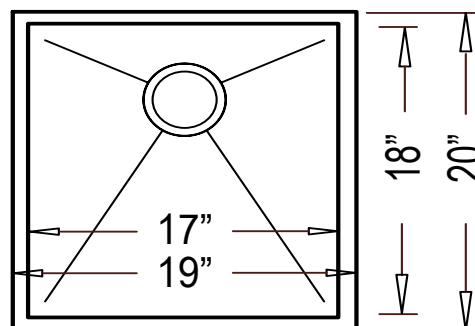


**R15mm “Radial”
Corner Detail**

Front View



Top View



Product Diagram
(Shown with “Zero-Edge” corners)