

## Specification Sheet

## LE-205BR - "Brenner Reverse"

### Undercounter Kitchen

#### Features

- Certified 304 Grade 18 Gauge Stainless Steel.
- Undercounter
- Dual Compartments
- Rounded Bowls
- Unique sound-deadening system with sound pads and a special coating.
- Lustrous and enduring finish which compliments any decor.
- Limited lifetime warranty.



Outer:	32" x 20-3/4" x 9"
Inner:	30" x 20-3/4" x 9"
Left Bowl:	13" x 16-5/8" x 7-1/2"
Right Bowl:	15-3/4" x 18-3/4" x 9"

Model	Description	Colors / Finishes
LE-205BR "Brenner Reverse"	Undercounter Sink	N/A

#### Included Components

- Mounting Clips
- Cut-out template

#### Colors / Finishes

- N/A None Applicable

#### Optional Accessories

- Standard Strainer
- Premium Strainer
- Sink Grid

#### Codes / Standards Applicable

Specified model meets or exceeds the following:

- UPC Certified
- CSA Certified



#### Product Specification

This sink shall be a dual compartment with rounded bowls. It shall be 32" in length and 20-3/4" in width, with a left bowl depth of 7-1/2" and a right bowl depth of 9". Sink shall be made of 18 gauge stainless steel. Sink shall include installation hardware. Sink shall be Leonet Model LE-205BR, "Brenner Reverse".

# LE-205BR - "Brenner Reverse"

## TECHNICAL INFORMATION

Fixture*	
Overall Inner Area	30" x 20-3/4"
Left Bowl Basin Area	13" x 16-5/8"
Right Bowl Basin Area	15-3/4" x 18-3/4"
Left Bowl Water Depth	7-1/2"
Right Bowl Water Depth	9"
Drain Hole (Each Bowl)	3-5/8" D

\*Approximate measurements for comparison only.

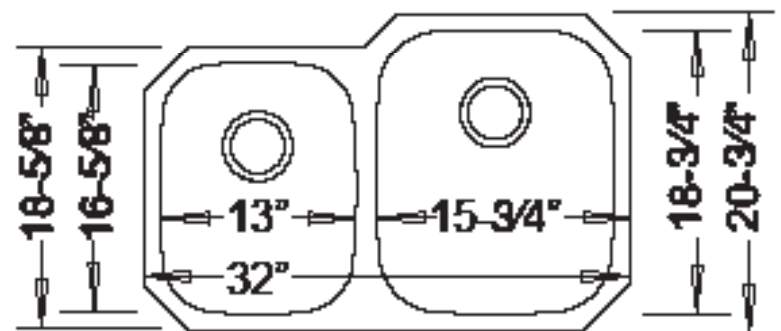


Product Image

Front View



Top View



Product Diagram