

LE-978 - "Cantina"

Features

- Certified 304 Grade 18 Gauge Stainless Steel.
- Undercounter Style
- Single Compartment
- Rounded Bowl
- Unique sound-deadening system with sound pads and a special coating.
- Lustrous and enduring finish which compliments any decor.
- Limited lifetime warranty.

Undercounter Kitchen



--- Dimensions ---
Outer
16" x 16" x 8"
Inner
14" x 14" x 8"

Model	Description	Colors / Finishes
LE-978 "Cantina"	Drop-In Sink	N/A

Included Components

- Mounting Clips
- Cut-out template

Colors / Finishes

- N/A None Applicable

Optional Accessories

- Standard Strainer
- Premium Strainer
- Sink Grid

Codes / Standards Applicable

Specified model meets or exceeds the following:

- UPC Certified
- CSA Certified



Product Specification

This undercounter sink shall be a single compartment with rounded bowl. It shall be 16" in length and 16" in width, and a depth of 8". Sink shall be made of 18 gauge stainless steel. Sink shall include installation hardware. Sink shall be Leonet Model LE-978, "Cantina".

LE-978 - "Cantina"

TECHNICAL INFORMATION

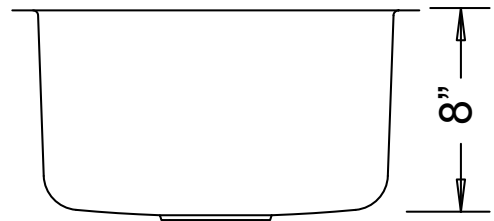
Fixture*	
Basin Area	14" x 14"
Water Depth	8"
Drain Hole	3-5/8" D

*Approximate measurements for comparison only.

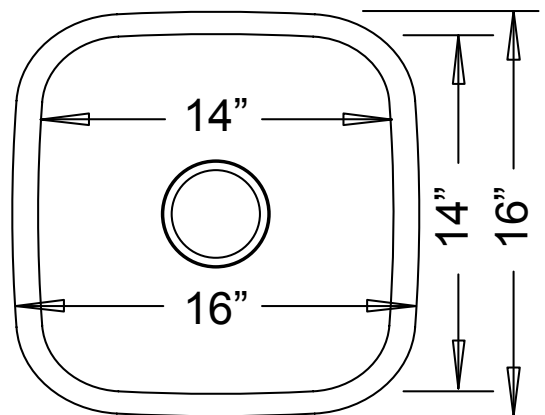


Product Image

Front View



Top View



Product Diagram