

Features

- Certified 304 Grade 18 Gauge Stainless Steel
- Undermount
- Dual Compartments
- R20mm rounded “Radial” inside corners for Easier Cleaning
- Unique sound-deadening system with sound pads and a special coating
- Lustrous and enduring finish which compliments any decor
- Limited lifetime warranty

Undermount Kitchen



--- Dimensions ---	
Outer:	31-1/2" x 17-3/4" x 9"
Inner:	29-1/2" x 15-3/4" x 9"
Left Bowl:	18-1/2" x 15-3/4" x 9"
Right Bowl:	10" x 15-3/4" x 7"

Model	Description	Colors / Finishes
MP7030	Undermount Sink	N/A

Included Components

- Mounting Clips
- Cut-out template

Colors / Finishes

- N/A None Applicable

Optional Accessories

- Standard Strainer
- Premium Strainer

Codes / Standards Applicable

Specified model meets or exceeds the following:

- UPC Certified
- CSA Certified



Product Specification

This sink shall be a dual compartment with each bowl featuring R20mm rounded “Radial” inside corners. Sink shall be 31-1/2” in length and 17-3/4” in width, with the left bowl having an overall depth of 9” and the right bowl having an overall depth of 7”. Sink shall be made of 18 gauge stainless steel. Sink shall include installation hardware. Sink shall be MetroPlace Model MP7030.

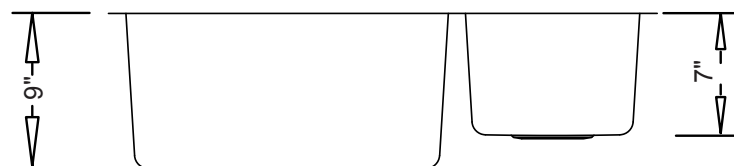
TECHNICAL INFORMATION

Fixture*	
Overall Inner Area	29-1/2" x 15-3/4"
Left Bowl Basin Area	18-1/2" x 15-3/4"
Right Bowl Basin Area	10" x 15-3/4"
Left Bowl Water Depth	9"
Right Bowl Water Depth	7"
Drain Hole (Each Bowl)	3-5/8" D
*Approximate measurements for comparison only.	

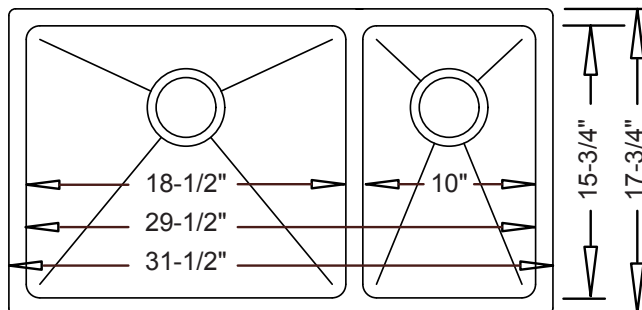


Product Image

Front View



Top View



Product Diagram