



Specification Sheet

PADS23 - "Minnesotan"

Drop-In Kitchen

Features

- Certified 304 Grade 23 Gauge Stainless Steel
- Drop-In Style
- ADA-Compliant
(when installed according to ADA mounting guidelines)
- Single Compartment
- Rounded Bowl
- Lustrous and enduring finish which compliments any decor.
- Limited lifetime warranty.



--- Dimensions ---
 Outer
 25" x 22" x 6"
 Inner
 21" x 15-3/4" x 6"

Model	Description	Colors / Finishes
PADS23 "Minnesotan"	Drop-In Sink	N/A

Included Components

- Mounting Clips
- Cut-out template

Colors / Finishes

- N/A None Applicable

Optional Accessories

- Standard Strainer
- Premium Strainer

Codes / Standards Applicable

Specified model meets or exceeds the following:

- UPC Certified
- ASME Certified
- CSA Certified



Product Specification

This ADA-Compliant drop-in sink shall be a single compartment with rounded bowl. It shall be 25" in length and 22" in width, with a bowl depth of 6". Sink shall be made of certified 304 grade 23 gauge stainless steel. Sink shall be ADA-Compliant when installed according to ADA mounting guidelines. Sink shall include installation hardware. Sink shall be Patriot Model PADS23, "Minnesotan".

PADS23 - "Minnesotan"

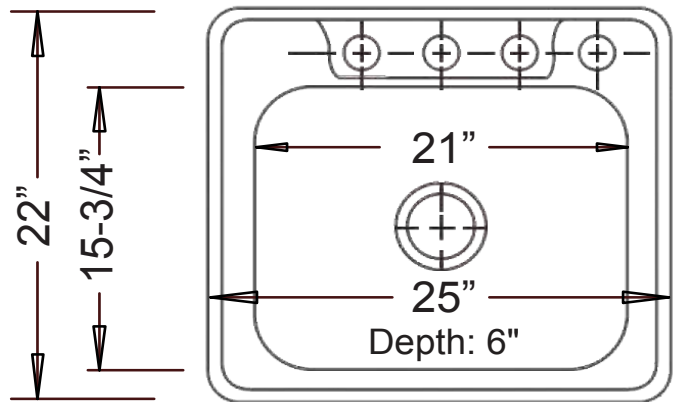
TECHNICAL INFORMATION

Fixture*	
Basin Area	21" x 15-3/4"
Water Depth	6"
Drain Hole	3-5/8" D

*Approximate measurements for comparison only.



Product Image



Product Diagram