

Instructions

50-K8-DCCH-AD-Z – Chrome

50-K8-DCBN-AD-Z – PVD Brushed Nickel

50-K8-DCBB-AD-Z – Brushed Bronze

116872 – Chrome

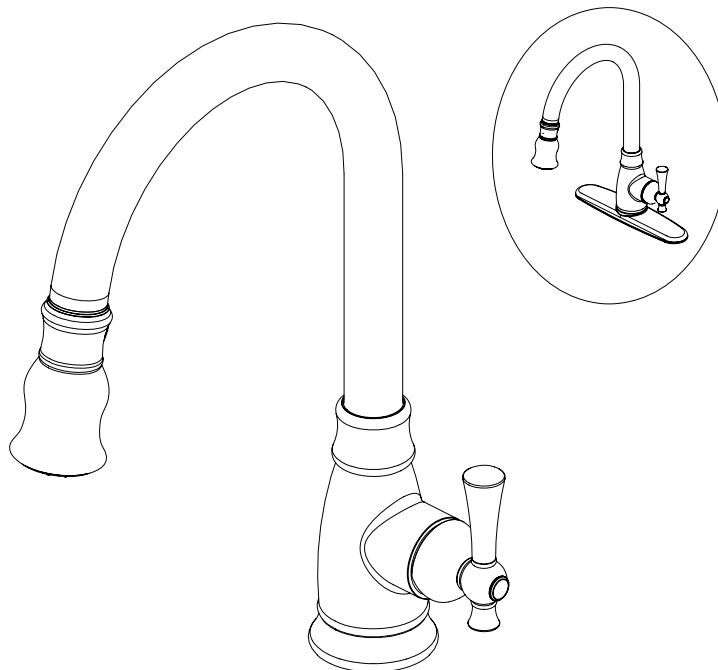
119873 – PVD Brushed Nickel



Certifications



Single Handle Pull-Down Kitchen Faucet



*Image may vary slightly from actual product

Tools Required

Adjustable Wrench
Groove Joint Pliers
Pipe Wrench
Phillips Screwdriver
Pipe Tape or pipe thread compound



Safety Tips

If you solder the joints during installation of the faucet, the seats, cartridges, and washers must be removed before using a flame or the warranty will be voided on these parts.

Protect your eyes with safety glasses when cutting or soldering water supply lines.

Cover the sink drain to avoid losing parts.

Things You May Need

Installations may vary depending on how the previous faucet was installed. Supplies necessary for the installation of your faucet are not all included; however, they are available wherever plumbing supplies are sold.

Maintenance

Your new kitchen faucet is designed for years of trouble-free performance.

Keep it looking new by cleaning it periodically with a soft cloth. Avoid abrasive cleaners, steel wool, and harsh chemicals as these will dull the finish and void your warranty.

Important Points

Prior to beginning installation, turn off the hot and cold water lines, then turn on the old faucet to release built-up pressure. When installing your new faucet, turn the connector nuts finger tight, then use one wrench to hold the fitting and a second wrench to tighten the nut. Connections that are too tight will reduce the integrity of the system.

Wrap all threaded connections with PTFE pipe tape available at your local hardware or plumbing supply store. Always wrap in a clock-wise direction.

Contact Us

For Customer Service please call 877-319-3757, or go to homeworksww.com.

Instructions

50-K8-DCCH-AD-Z – Chrome

50-K8-DCBN-AD-Z – PVD Brushed Nickel

50-K8-DCBB-AD-Z – Brushed Bronze

116872 – Chrome

119873 – PVD Brushed Nickel



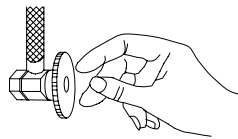
Certifications



Single Handle Pull-Down Kitchen Faucet

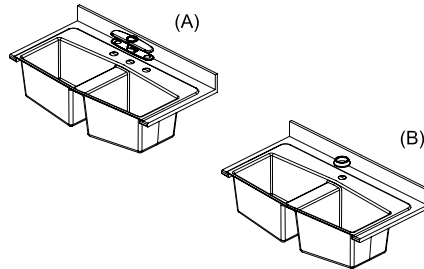
Preparation and Assembly

1



Locate water supply inlet and shut off water supply valve. These are usually found under the sink or near the water heater. Remove old faucet. Clean and dry sink surface area where new faucet will be mounted.

2

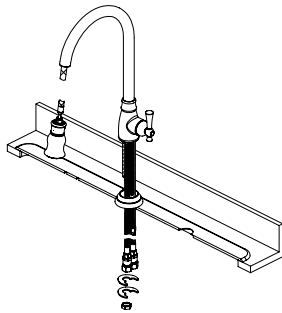


Escutcheon installation is optional.

(A) For installation with deck plate, place base plate and escutcheon on the sink.

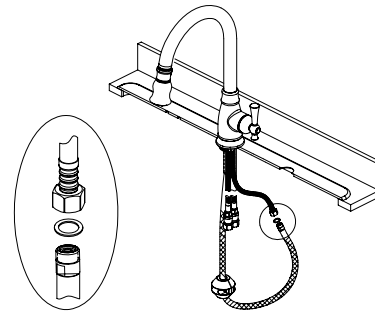
(B) For installation without deck plate, use flange to replace escutcheon and base plate.

3



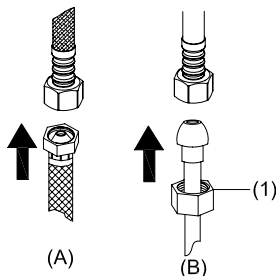
Place the faucet assembly into position on sink. From under sink, firmly secure faucet to sink with rubber washer, metal washer and nut.

4



Connect hose with the washer to outlet tube and tighten. Do not overtighten. Install weight onto spray hose.

5

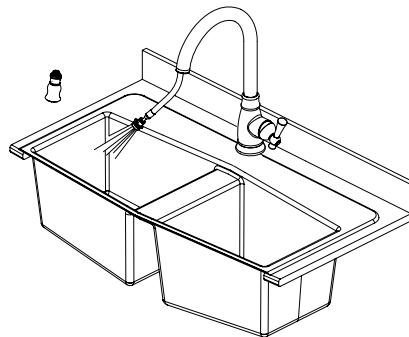


Connect water supply lines.

(A) Use 1/2" IPS faucet supply lines or use coupling nuts (not supplied) with ball-nose risers (not included).

Turn water supply or shut-off valve back on and check for leaks. If leaks occur, gently tighten the faucet connections.

6



Important: After installation is completed, turn on water supply without the sprayer. Allow water to run for at least one minute both hot and cold positions. Assemble the spray head to the pull-out hose by turning spray head clockwise.

WARNING: MAKE SURE THAT GASKET IN THE OUTLET PORT IS IN PLACE BEFORE ASSEMBLING THE SPRAY HEAD TO HOSE.

Instructions

50-K8-DCCH-AD-Z – Chrome

50-K8-DCBN-AD-Z – PVD Brushed Nickel

50-K8-DCBB-AD-Z – Brushed Bronze

116872 – Chrome

119873 – PVD Brushed Nickel



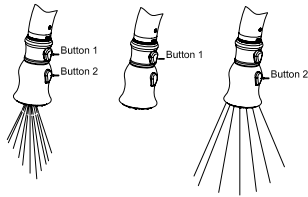
Certifications



Single Handle Pull-Down Kitchen Faucet

Preparation and Assembly

10



Press button 1 to stop water flow.
Press button 2 to divert water to the sprayer. Press again to return the flow through the faucet aerator.

Troubleshooting

PROBLEM: Leaks underneath handle.

CAUSE: Bonnet has come loose or bottom gasket on cartridge is dirty or twisted.

ACTION:

1. Remove the handle by loosening the set screw with a Phillips Screwdriver, and unscrew cap (Diagram A).
2. Tighten the bonnet by turning it clockwise (Diagram B). Move the cartridge stem to the on position. The leak should stop draining out from around the cartridge stem.
3. If the leak does not stop, shut off the water supply. Remove the bonnet by turning it counterclockwise. Remove the cartridge (Diagram C). Inspect the gaskets (seats) on the bottom of the cartridge. Remove any debris from the gaskets. If either gasket is twisted, straighten it out.

4. Insert the cartridge back into the faucet body and tighten the bonnet and cap (Diagram E).

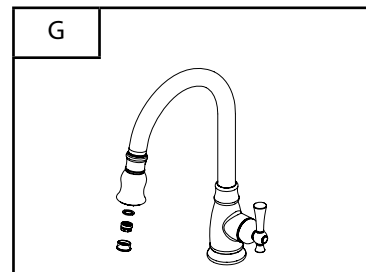
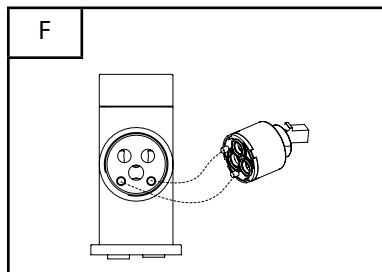
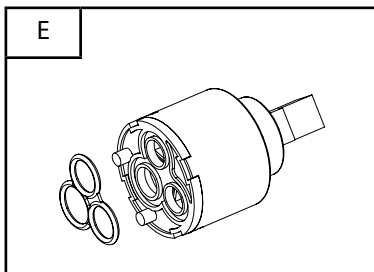
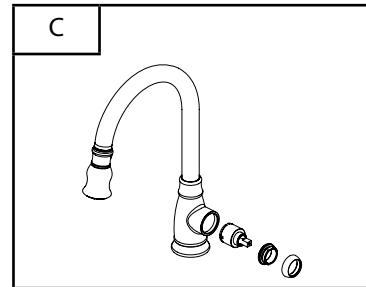
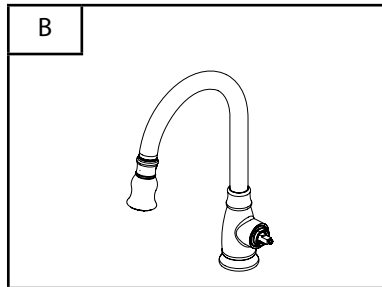
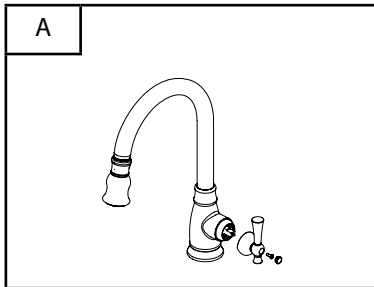
5. Re-install the handle.

PROBLEM: Improper water pattern

CAUSE: The aerator has become clogged with debris.

ACTION:

1. Remove the aerator from the spray head by turning it clockwise (Diagram F).
2. Gently flush the small parts inside the aerator to flush away debris.
3. Re-install the aerator onto the spray faucet.



Specifications



Physical Characteristics

- Description: Single handle kitchen faucet with pull-down 2-setting spray, nylon hose, 8" center distance and optional deck plate
- Max. Flow Rate: 2.2 GPM (8.3 LPM)
- 1 or 3-hole installation
- ASME A112.18.1/CSA B125 certified
- Meets ANSI/NSF 61-9 Low Lead Requirements
- This product complies with 0.25% weighted average lead content on wetted surfaces.
- Total Weight of Item: 2689.44g

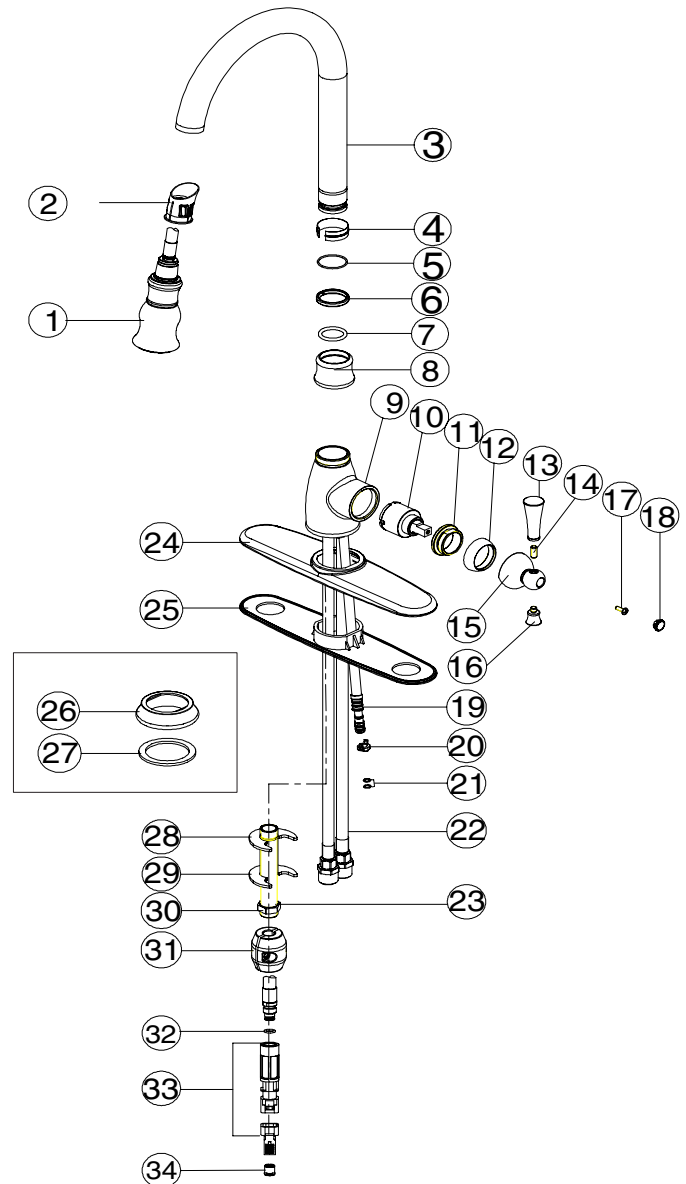
Certifications



CALIFORNIA LEAD
PLUMBING LAW

- 50-K8-DCCH-AD-Z – Chrome
- 50-K8-DCBN-AD-Z – PVD Brushed Nickel
- 50-K8-DCBB-AD-Z – Brushed Bronze
- 116872 – Chrome
- 119873 – PVD Brushed Nickel

No.	Part Description	Material
1	Spray head assembly	ABS assembly
2	Inverter	POM M90
3	Spout	Brass per C27000
4	Wearable washer	PE HDPE
5	O-ring	EPDM E7008F
6	Ring	DELTRIN 500P NC010
7	O-ring	EPDM E7008F
8	Spout nut	Brass per C37700
9	Body	Brass per C37700
10	Cartridge	Ceramic+POM+S.S.304+PA6+Silicone+PPO
11	Bonnet	Brass C37700
12	Cap	ABS
13	Handle	ZZnA14
14	Bolt	Q235A
15	Handle seat	Brass per C37700
16	Accessorized head	Brass per C37700
17	Screw	201Cu
18	Cap	C26000
19	Hose	Brass C37700+S.S.304+TPE+EPDM E7008F
20	Block	POM
21	O-ring	Rubber
22	Hose	-
23	Shank	Brass C37700
24	Escutcheon	SUS201
25	Base plate	ABS PA727
26	Flange	ABS
27	Washer	EVA
28	Washer	NBR
29	Washer	Q235A
30	Nut	Q235A
31	Weights	HT150+Q235A
32	O-ring	EPDM E7008F
33	Connector	POM M90
34	Valve	POM Celcon M90+NBR N7008F+SUS304



Rough-In

50-K8-DCCH-AD-Z – Chrome

116872 – Chrome

50-K8-DCBN-AD-Z – PVD Brushed Nickel

119873 – PVD Brushed Nickel

50-K8-DCBB-AD-Z – Brushed Bronze



Certifications



Single Handle Pull-Down Kitchen Faucet

