

Instructions

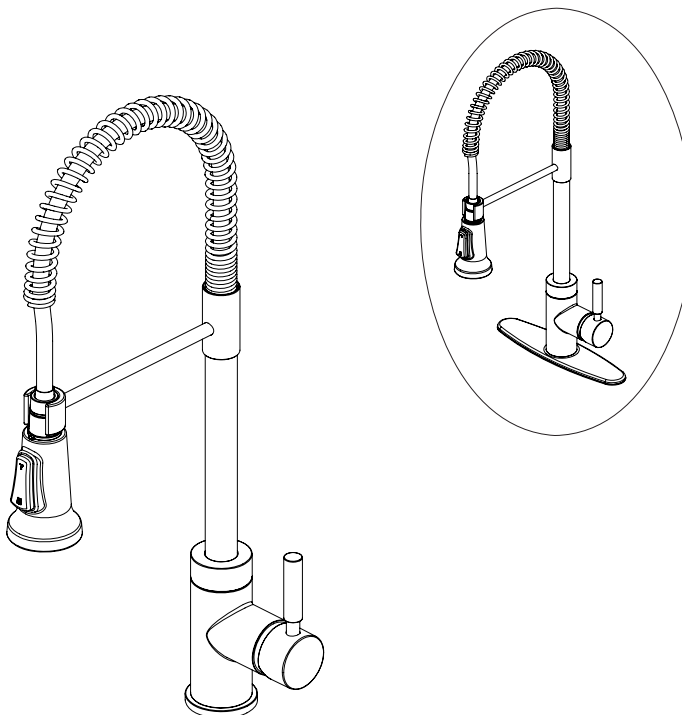
90-KV-DCCH-AD-Z – Chrome
90-KV-DCSS-AD-Z – Stainless Steel



Certifications



Single Handle, Industrial Style, Pull-Down Kitchen Faucet



*Image may vary slightly from actual product

Tools Required

Adjustable Wrench
Groove Joint Pliers
Pipe Wrench
Phillips Screwdriver
Pipe Tape or pipe thread compound



Safety Tips

If you solder the joints during installation of the faucet, the seats, cartridges, and washers must be removed before using a flame or the warranty will be voided on these parts.

Protect your eyes with safety glasses when cutting or soldering water supply lines.

Cover the sink drain to avoid losing parts.

Things You May Need

Installations may vary depending on how the previous faucet was installed. Supplies necessary for the installation of your faucet are not all included; however, they are available wherever plumbing supplies are sold.

Maintenance

Your new kitchen faucet is designed for years of trouble-free performance.

Keep it looking new by cleaning it periodically with a soft cloth. Avoid abrasive cleaners, steel wool, and harsh chemicals as these will dull the finish and void your warranty.

Important Points

Prior to beginning installation, turn off the hot and cold water lines, then turn on the old faucet to release built-up pressure. When installing your new faucet, turn the connector nuts finger tight, then use one wrench to hold the fitting and a second wrench to tighten the nut. Connections that are too tight will reduce the integrity of the system.

Wrap all threaded connections with PTFE pipe tape available at your local hardware or plumbing supply store. Always wrap in a clock-wise direction.

Contact Us

For Customer Service please call 877-319-3757, or go to homeworksww.com.

Instructions

90-KV-DCCH-AD-Z – Chrome
 90-KV-DCSS-AD-Z – Stainless Steel



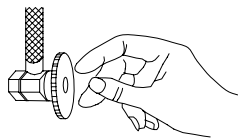
Certifications



Single Handle, Industrial Style, Pull-Down Kitchen Faucet

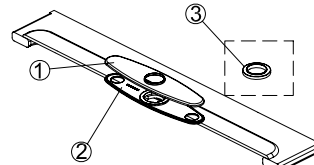
Preparation and Assembly

1



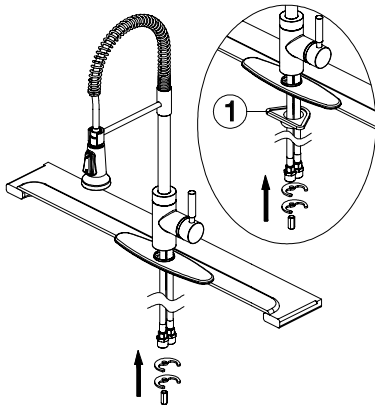
Locate water supply inlet and shut off water supply valve. These are usually found under the sink or near the water heater. Remove old faucet. Clean and dry sink surface area where new faucet will be mounted.

2



Place base plate (#2) and escutcheon (#1) on the sink. If you have no use for the escutcheon, please use seat (#3) to replace escutcheon and base plate.

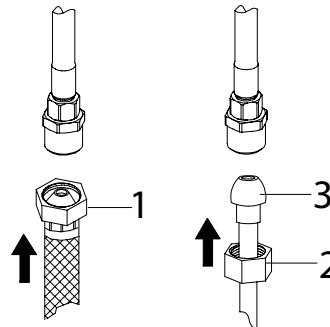
3



Insert supply hose assembly and thread rod through hole in sink (through center hole of escutcheon if used). Install rubber washer, metal washer and retaining nut onto the threaded rod. Firmly tighten retaining nut. Do not overtighten.

Note: Mounting bracket (1) only needs to be used if installing onto a sink or countertop less than 3/4" thick otherwise it can be discarded.

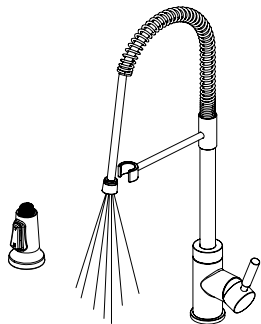
4



Make connections to water lines. Use 1/2" IPS faucet connections (1) or use coupling nuts (2) with 3/8" O.D. ball-nose riser (3). Use wrenches to tighten connections. Do not overtighten.

Turn water supply or shut-off valve back on and check for leaks. If leaks occur, gently tighten the faucet connections.

5



Turn on hot and cold water supplies. Remove the spray head. Be sure to hold the end of the hose down into the sink and turn faucet handle to the mixed position. Flush water lines for one minute. Check for leaks. Re-tighten if necessary, but do not overtighten. Attach the spray head to the hose.

Troubleshooting

90-KV-DCCH-AD-Z – Chrome
90-KV-DCSS-AD-Z – Stainless Steel



Certifications



Single Handle, Industrial Style, Pull-Down Kitchen Faucet

Troubleshooting

PROBLEM:

Leaks underneath handle and water does not completely shut off.

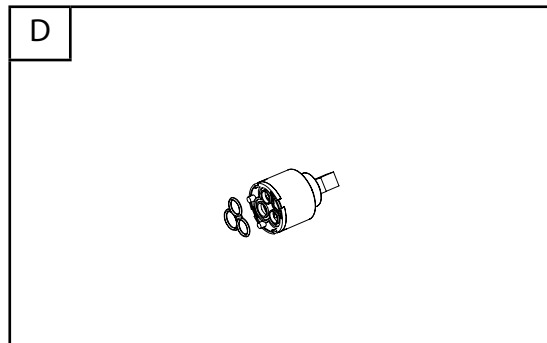
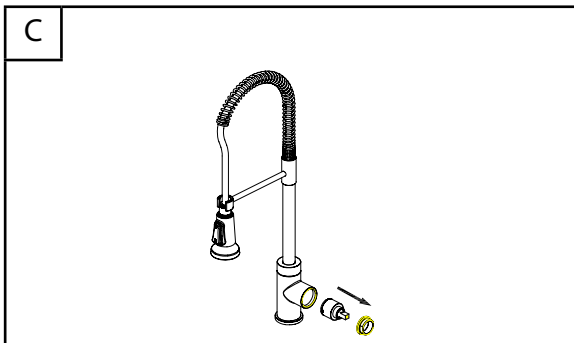
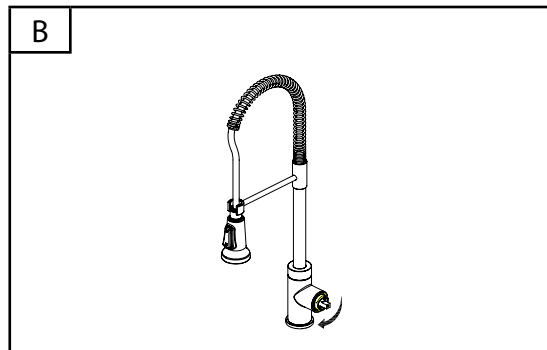
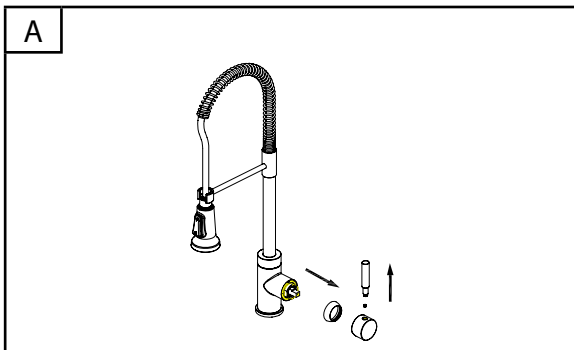
CAUSE: Bonnet nut has come loose or the cartridge is dirty or worn.

ACTION:

1. Remove the handle and loosen the set screw, then remove the handle seat and the cap (Diagram A).
2. Tighten the bonnet nut by turning it clockwise (Diagram B). Move the cartridge stem to the on position. The leak should stop draining out from around the cartridge stem.

3. If leak does not stop, shut off water supply. Remove the bonnet nut by turning it counter-clockwise. Lift out the cartridge (Diagram C). Clear the cartridge if it is dirty or replace the cartridge by calling Customer Service (Diagram D).

4. Position the cartridge back in the faucet body and tighten the bonnet nut and cap.
5. Reinstall the handle.

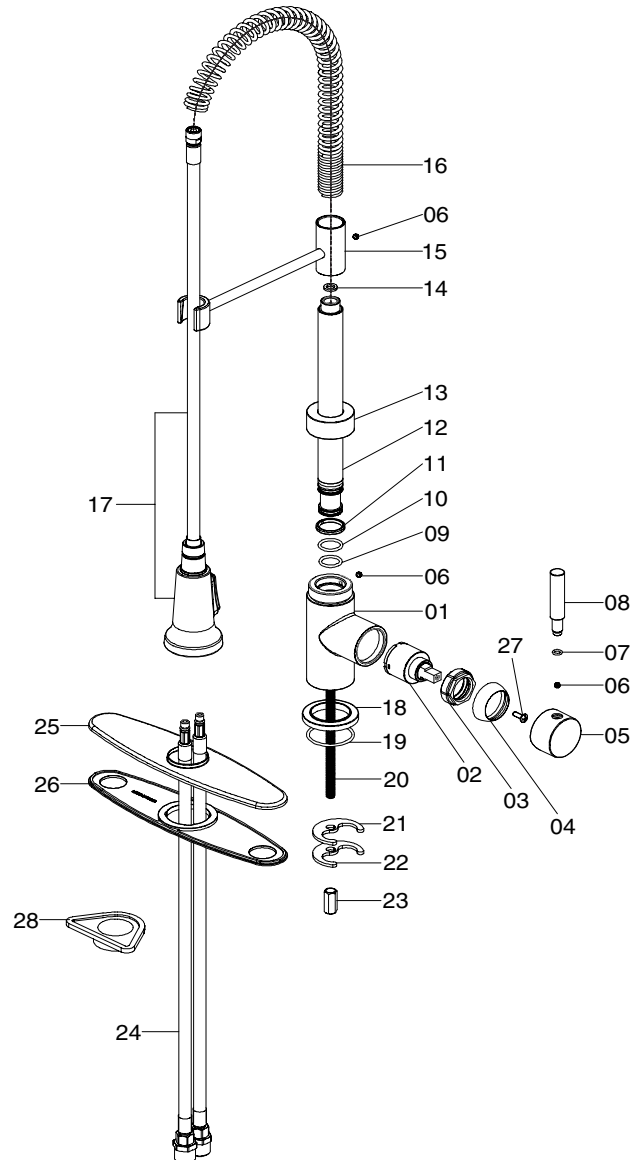


Specifications

Physical Characteristics

- Description: Single handle, industrial style kitchen faucet with 8" center distance, pull-down spray, ceramic cartridge and optional deck plate
- Flexible stainless steel spring
- 1 or 3-hole installation
- Max. Flow Rate: 2.2 GPM (8.3 LPM)
- ASME A112.18.1/CSA B125 certified
- Meets ANSI/NSF 61-9 low lead requirements
- This product complies with 0.25% weighted average lead content on wetted surfaces
- Total Weight of Item: 2671g

No.	Part Description	Material
1	Body	LTN 60-2
2	Cartridge	Ceramic+POM+S.S.+P46+Silicone+PPO
3	Bonnet	Brass HPb59-1
4	Cap	ABS PA727
5	Handle seat	Zinc ZZnA14
6	Set screw	SUS302
7	O-ring	EPDM E7008F
8	Handle	ZZnA14
9	O-ring	EPDM E7008F
10	O-ring	EPDM E7008F
11	Clip	POM M90
12	Water pipe	H62+C27000
13	Spout nut	Brass C37700
14	Washer	NBR N7008F
15	Bracket	Brass C37700
16	Spring	SUS304
17	Spray head assembly	-
18	Seat	ZZnA14
19	O-ring	EPDM E7008F
20	Bolt	Q235A
21	Rubber washer	NBR N7008F
22	Steel washer	SUS304
23	Nut	Brass C37700
24	Hose assembly	-
25	Escutcheon	Brass C27000
26	Base plate	PP+20%CaCO ₃
27	Screw	SUS201
28	Mounting nut	PA BASF A3K PA66



Certifications



90-KV-DCCH-AD-Z – Chrome
90-KV-DCSS-AD-Z – Stainless Steel

Rough-In

90-KV-DCCH-AD-Z – Chrome
90-KV-DCSS-AD-Z – Stainless Steel



Certifications



CALIFORNIA LEAD
PLUMBING LAW

Single Handle, Industrial Style, Pull-Down Kitchen Faucet

