

W3380201-1, W3380202-1 - Single Handle Lavatory Faucet

Description

- Single hole lavatory with deck plate
- Metal lever handle
- Lift and turn ceramic disc cartridge
- Brass pop-up
- Use with or without deck plate
- 1.5 GPM ASME compliant
- 20" SS braided hoses with 3/8" compression nuts

Standards

- Complies with IAPMO UPC/cUPC
- California AB1953 compliant
- NSF - 61-9 tested and compliant
- ADA Accessibility Guidelines for Buildings and Facilities - 427.4 Controls and Mechanisms
- CALGreen compliant
- EPA WaterSense Certified by IAPMO R&T



• W3380201-1

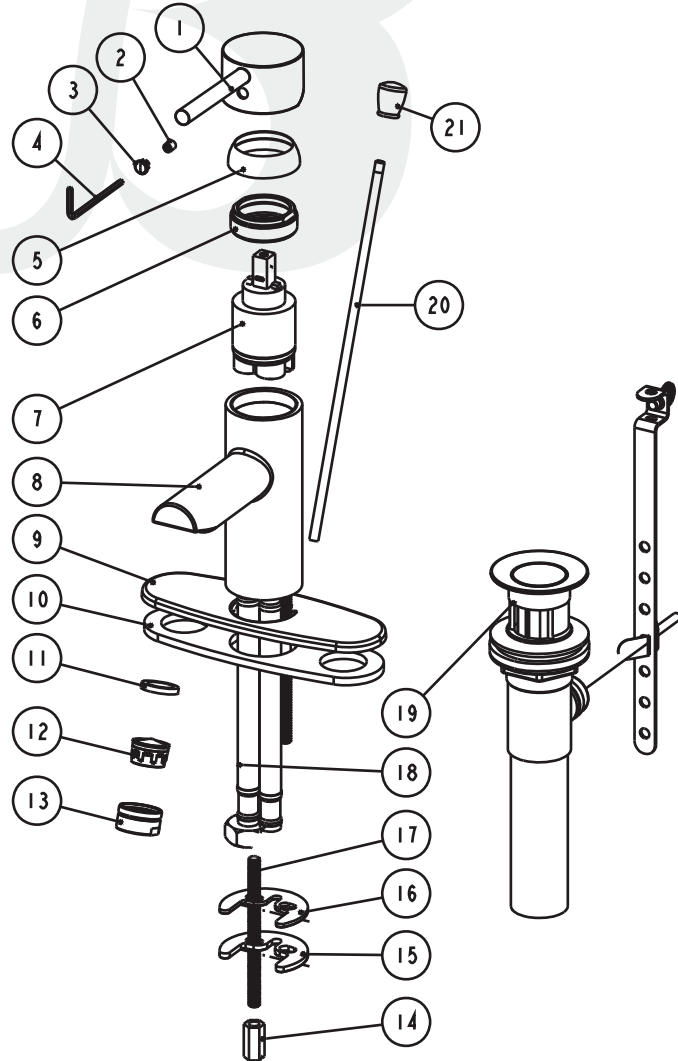


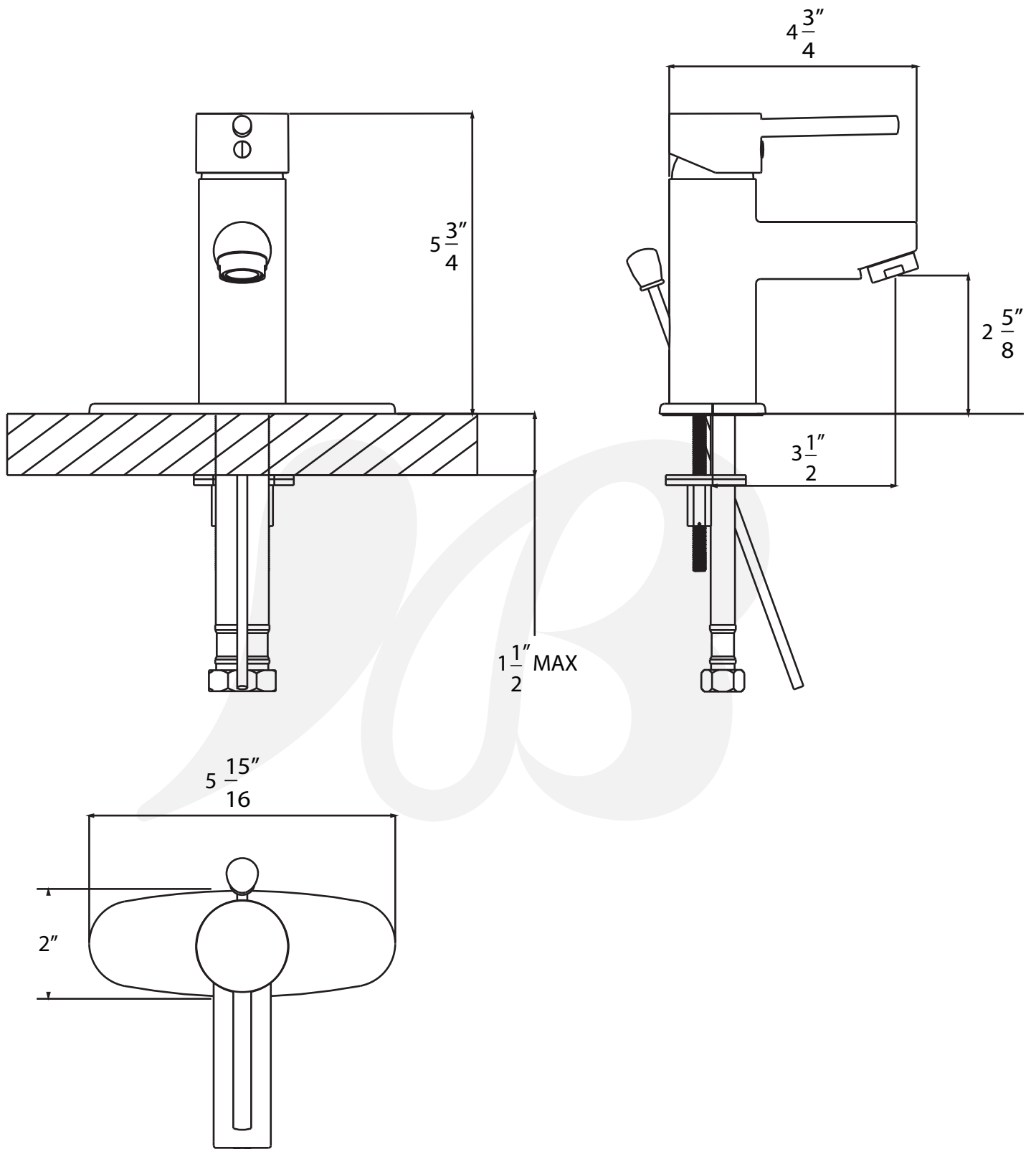
Colors / Finishes

- W3380201-1 - Chrome
- W3380202-1 - PVD Satin Nickel

**BREAK DOWN
Component Parts List**

NO.	Part No	Qty
01	CTHZ0281	1
02	CTST0117	1
03	CTCP0072	1
04	CCQT0002	1
05	CTCP0366	1
06	CTKB0107	1
07	ATBA0134	1
08	CTYN0040	1
09	CTKB0091	1
10	CTWP0219	1
11	CTWR0254	1
12	ATBX0040	1
13	CTXB0053	1
14	CTNB0063	2
15	CTKL0001	1
16	CTWR0199	1
17	CTST0013	2
18	ATBP0068	2
19	ATAA0067	1
20	CTMB0017	1
21	CTHB0016	1





Item Number	Type	Date
W3380201-1 W3380202-1	Single Hole Lavatory	12/21/2015