

## ADA-966

### Drop-In Kitchen

#### Features

- Certified 304 Grade Surgical Stainless Steel
- Drop-In Style
- Rear Drain
- ADA-Compliant  
(when installed according to ADA mounting guidelines)
- Single Compartment
- Rounded Bowl
- Unique sound-deadening system with sound pads and a special coating
- Lustrous and enduring finish which compliments any decor
- Limited lifetime warranty



--- Dimensions ---	
Outer:	25" x 22" x 6"
Inner:	21" x 15-3/4" x 6"

Model	Description	Colors / Finishes
ADA-966	Drop-In Sink	N/A

#### Included Components

- Cut-out template

#### Colors / Finishes

- N/A None Applicable

#### Optional Accessories

- Standard Strainer
- Premium Strainer
- Sink Grid

#### Codes / Standards Applicable

Specified model meets or exceeds the following:

- UPC Certified
- CSA Certified



#### Product Specification

This ADA-Compliant sink shall be a single compartment with rounded bowl. It shall be 25" in length and 22" in width, with an overall depth of 6". Sink shall be made of 304 Grade Surgical Stainless Steel. Sink shall be ADA-Compliant when installed according to ADA mounting guidelines. Sink shall include cut-out template.

Sink shall be Model ADA-966.

**TECHNICAL INFORMATION**

Fixture*	
Basin Area	21" x 15-3/4"
Water Depth	6"
Drain Hole	3-5/8" D

\*Approximate measurements for comparison only.

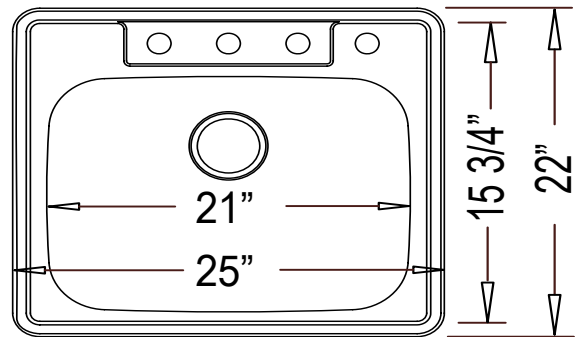


**Product Image**

**Front View**



**Top View**



**Product Diagram**