

ADA-978

Features

- Certified 304 Grade Surgical Stainless Steel.
- ADA-Compliant
(when installed according to ADA mounting guidelines).
- Installation template matches Leonet model LE-978 and Intrepid model 16165.
- Undercounter Style.
- Rear Drain.
- Single Compartment.
- Rounded Bowl.
- R15mm rounded "Radial" inside corners for Easier Cleaning.
- Unique sound-deadening system with sound pads and a special coating.
- Lustrous and enduring finish which compliments any decor.
- Limited lifetime warranty.

Undercounter Kitchen



--- Dimensions ---	
Outer:	16" x 16" x 5-1/2"
Inner:	14" x 14" x 5-1/2"

Model	Description	Colors / Finishes
ADA-978	Undercounter Sink	N/A

Included Components

- Cut-out template

Colors / Finishes

- N/A None Applicable

Optional Accessories

- Standard Strainer
- Premium Strainer
- Sink Grid

Codes / Standards Applicable

Specified model meets or exceeds the following:

- UPC Certified
- CSA Certified



Product Specification

This ADA-Compliant sink shall be a single compartment with rounded bowl. It shall be 16" in length and 16" in width, with a bowl depth of 5-1/2". Sink shall be made of 304 Grade Surgical Stainless Steel. Sink shall be ADA-Compliant when installed according to ADA mounting guidelines. Sink shall include cut-out template.

Sink shall be Model ADA-978.

TECHNICAL INFORMATION

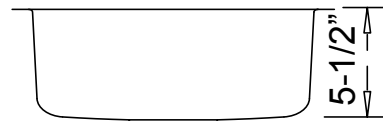
Fixture*	
Basin Area	14" x 14"
Water Depth	5-1/2"
Drain Hole	3-5/8" D

*Approximate measurements for comparison only.

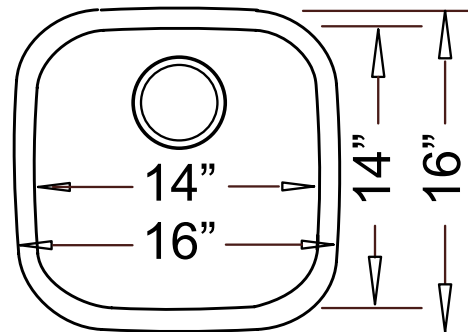


Product Image

Front View



Top View



Product Diagram