

## ADA-VS18813

### Features

- Certified 304 Grade 18 Gauge Surgical Stainless Steel.
- ADA-Compliant  
(when installed according to ADA mounting guidelines).
- Installation Template matches 18g. Lancer model VS18813-7.
- Undercounter Design.
- Single Compartment.
- Rounded Bowl.
- R50mm rounded "Radial" inside corners for Easier Cleaning.
- Unique dound-deadening system with sound pads and a special coating.
- Lustrous and enduring finish which compliments any decor.
- Limited lifetime warranty.

### Undercounter Kitchen



--- Dimensions ---	
Outer:	30" x 18" x 5-1/2"
Inner:	28" x 16" x 5-1/2"

Model	Description	Colors / Finishes
ADA-VS18813	Undercounter Sink	N/A

### Included Components

- Mounting Clips
- Cut-out template

### Colors / Finishes

- N/A None Applicable

### Optional Accessories

- Standard Strainer
- Premium Strainer
- Sink Grid

### Codes / Standards Applicable

Specified model meets or exceeds the following:

- UPC Certified



### Product Specification

This undercounter sink shall be a single compartment with rounded bowl. It shall be 30" in length and 18" in width, with an overall depth of 5-1/2". Sink shall be made of 18 Gauge Stainless Steel, and be ADA-Compliant when installed according to ADA mounting guidelines. Sink shall include installation hardware. Sink shall be ADA Model ADA-VS18813.

**TECHNICAL INFORMATION**

Fixture*	
Overall Inner Area	28" x 16"
Water Depth	5-1/2"
Drain Hole	3-5/8" D
*Approximate measurements for comparison only.	

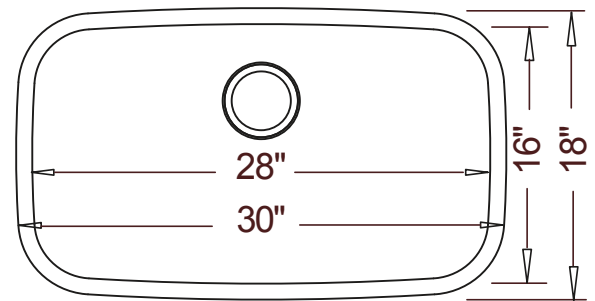


**Product Image**

**Front View**



**Top View**



**Product Diagram**