

Features

- Certified 304 Grade Stainless Steel.
- Front Apron Farmhouse Style.
- Single Compartment.
- Rounded Bowl.
- Unique sound-deadening system with sound pads and a special coating.
- Lustrous and enduring finish which compliments any decor.
- Limited lifetime warranty.

Front Apron Farmhouse



--- Dimensions ---	
Outer	35-3/4" x 21-1/2"
Inner	33" x 19"
Depth	10"

Model	Description	Colors / Finishes
LI-1100	Undercounter Sink	Brushed Nickel Deck

Included Components

- Grid Set
- Single Deluxe Drain
- Colander
- Cutting Board
- Cutout template
- Mounting Hardware

Colors / Finishes

- N/A None Applicable

Optional Accessories

- N/A (All accessories included)

Codes / Standards Applicable

Specified model meets or exceeds the following:

- Warnock Hersey Certified



Product Specification

This front apron farmhouse sink shall be a single compartment with rounded bowl. Sink shall be 35-3/4" in length and 21-1/2" in width, with a bowl depth of 10". Sink shall be made of certified 304 grade 16 gauge stainless steel. Sink shall include grid, deluxe drain, Colander and installation cutout template. Sink shall be C-Tech Model LI-1100.

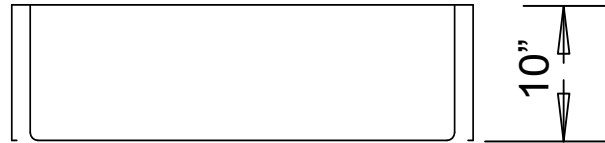
TECHNICAL INFORMATION

Fixture*	
Basin Area	33" x 19"
Water Depth	10"
Drain Hole	3-5/8" dia.
*Approximate measurements for comparison only.	

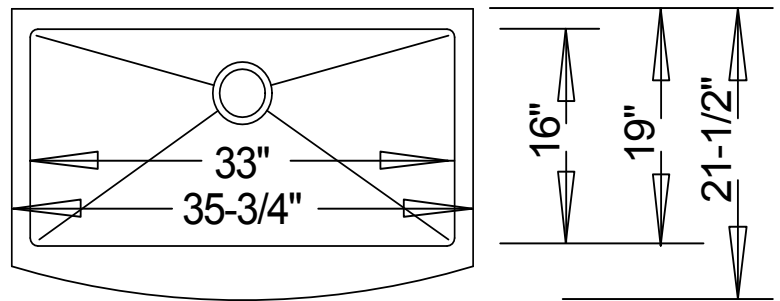


Product Image

Front View



Top View



Product Diagram