

LI-1900-R

Farmhouse Kitchen

Features

- Certified 304 Grade Stainless Steel.
- Farmhouse Style.
- Single Compartment.
- Inside Rounded Corners.
- Unique sound-deadening system with sound pads and a special coating.
- Lustrous and enduring finish which compliments any decor.
- Limited lifetime warranty.



--- Dimensions ---	
Outer	33-1/2" x 18"
Inner	31-1/2" x 16"
Depth	10"

Model	Description	Colors / Finishes
LI-1900-R	Farmhouse Sink	Brushed Nickel Deck

Included Components

- Grid Set
- Single Deluxe Drain
- Colander
- Cutout template
- Mounting Hardware

Colors / Finishes

- N/A None Applicable

Optional Accessories

- N/A (All accessories included)

Codes / Standards Applicable

Specified model meets or exceeds the following:

- Warnock Hersey Certified



Product Specification

This farmhouse sink shall be a single compartment with a bowl featuring inside rounded corners. Sink shall be 33-1/2" in length and 18" in width, with a bowl depth of 10". Sink shall be made of certified 304 grade 16 gauge stainless steel. Sink shall include grid, deluxe drain, Colander and installation cutout template. Sink shall be C-Tech Model LI-1900-R.

TECHNICAL INFORMATION

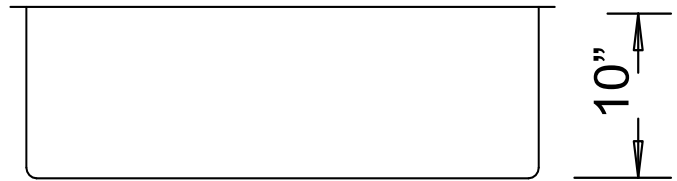
Fixture*	
Basin Area	31-1/2" x 16"
Water Depth	10"
Drain Hole	3-5/8" dia.

*Approximate measurements for comparison only.

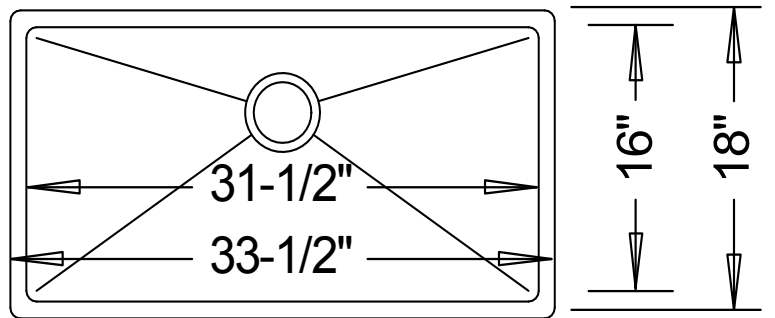


Product Image

Front View



Top View



Product Diagram