

## LI-2900-R

### Farmhouse Kitchen

#### Features

- Certified 304 Grade Stainless Steel.
- Farmhouse Style.
- Single Compartment.
- Inside Rounded Corners.
- Unique sound-deadening system with sound pads and a special coating.
- Lustrous and enduring finish which compliments any decor.
- Limited lifetime warranty.



--- Dimensions ---	
Outer	22-1/2" x 18"
Inner	20-1/2" x 16"
Depth	10"

Model	Description	Colors / Finishes
LI-2900-R	Farmhouse Sink	Brushed Nickel Deck

#### Included Components

- Grid Set
- Single Deluxe Drain
- Colander
- Cutout template
- Mounting Hardware

#### Optional Accessories

- N/A (All accessories included)

#### Colors / Finishes

- N/A None Applicable

#### Codes / Standards Applicable

Specified model meets or exceeds the following:

- Warnock Hersey Certified

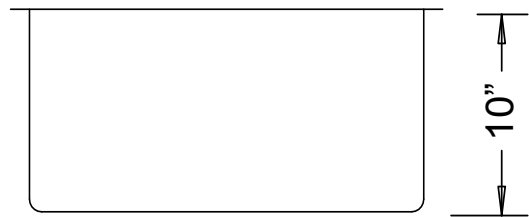
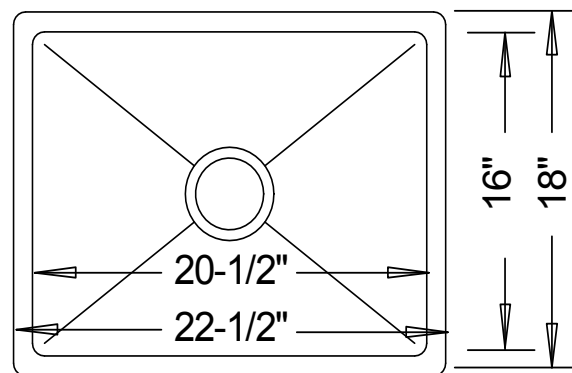


#### Product Specification

This farmhouse sink shall be a single compartment with a bowl featuring inside rounded corners. Sink shall be 22-1/2" in length and 18" in width, with a bowl depth of 10". Sink shall be made of certified 304 grade 16 gauge stainless steel. Sink shall include grid, deluxe drain, Colander and installation cutout template. Sink shall be C-Tech Model LI-2900-R.

**TECHNICAL INFORMATION**

Fixture*	
Basin Area	20-1/2" x 16"
Water Depth	10"
Drain Hole	3-5/8" dia.
*Approximate measurements for comparison only.	

**Product Image****Front View****Top View****Product Diagram**