

### Features

- Certified 304 Grade Stainless Steel.
- Under Counter installation.
- Dual Compartments
- Rounded Bowls
- Unique sound-deadening system with sound pads and a special coating.
- Lustrous and enduring finish which compliments any decor.
- Limited lifetime warranty.

### Undercounter Kitchen



--- Dimensions ---	
Outer	34" x 20-1/2"
Left Bowl	16-3/4" x 18-1/2"
Right Bowl	14-3/4" x 16"
Depth (Left)	11"
Depth (Right)	8"

Model	Description	Colors / Finishes
LI-300	Undercounter Sink	Brushed Nickel Deck

### Included Components

- Grid Set
- Single Deluxe Drain
- Colander
- Cutout template
- Mounting Hardware

### Colors / Finishes

- N/A None Applicable

### Optional Accessories

- N/A (All accessories included)

### Codes / Standards Applicable

Specified model meets or exceeds the following:

- Warnock Hersey Certified



### Product Specification

This undercounter sink shall be a dual compartment with rounded bowls. Sink shall be 34" in length and 20-1/2" in width, with a left bowl depth of 11" and a right bowl depth of 8". Sink shall be made of certified 304 grade stainless steel, with 16 gauge bowls and 15 gauge mounting rims. Sink shall include grid set, single deluxe drain, colander and installation cutout template. Sink shall be C-Tech Model LI-300.

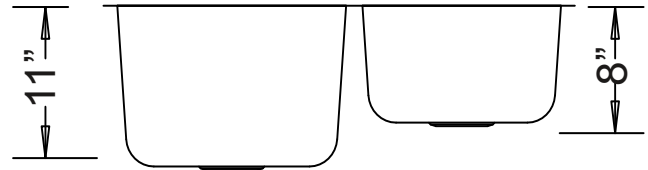
**TECHNICAL INFORMATION**

Fixture*	
Basin Area (Left Bowl)	16-3/4" x 18-1/2"
Basin Area (Right Bowl)	14-3/4" x 16"
Water Depth (Left Bowl)	11"
Water Depth (Right Bowl)	8"
Drain Hole (Each Bowl)	3-5/8" dia.
*Approximate measurements for comparison only.	

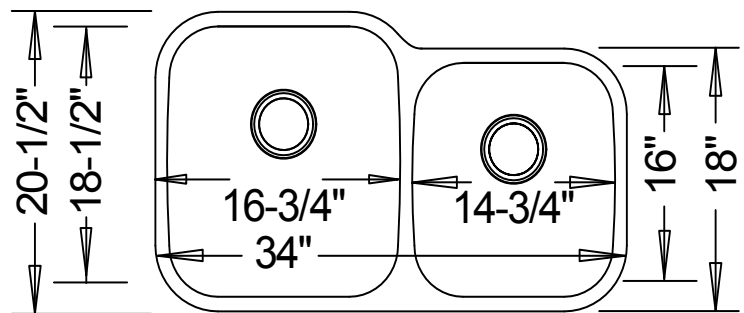


**Product Image**

**Front View**



**Top View**



**Product Diagram**