

## LI-VLS-2214

### Features

- Certified 304 Grade Stainless Steel.
- Unique Undercounter Vanity.
- Single Compartment.
- Dual-Mount Assembly Under-Mount or Drop-In.
- Unique sound-deadening system with sound pads and a special coating.
- Lustrous and enduring finish which compliments any decor.
- Limited lifetime warranty.

### Unique Undercounter Vanity



--- Dimensions ---	
Outer	20-3/4" x 14"
Inner	18-3/4" x 12"
Depth	6-1/4"

Model	Description	Colors / Finishes
LI-VLS-2214	Unique Vanity	Brushed Nickel Deck

### Included Components

- Pop-Up Drain w/Standard Overflow
- Cutout template
- Mounting Hardware

### Colors / Finishes

- N/A None Applicable

### Optional Accessories

- N/A (All accessories included)

### Codes / Standards Applicable

Specified model meets or exceeds the following:

- Warnock Hersey Certified



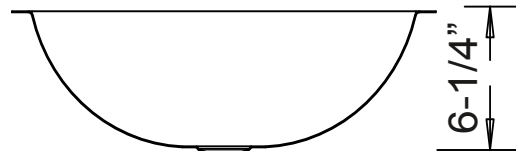
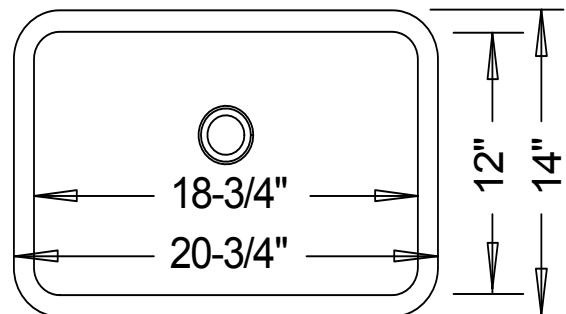
### Product Specification

This unique undercounter vanity sink shall be a single compartment with a bowl featuring zero-radius inside corners. Sink shall be 20-3/4" in length and 14" in width, with a bowl depth of 6-1/4". Sink shall be made of certified 304 grade 18 gauge stainless steel. Sink shall include pop-up drain with standard overflow, and installation cutout template. Sink shall be C-Tech Model LI-VLS-2214.

**TECHNICAL INFORMATION**

Fixture*	
Basin Area Diameter	18-3/4" x 12"
Water Depth	6-1/4"
Drain Hole	1-5/8" dia.

\*Approximate measurements for comparison only.

**Product Image****Front View****Top View****Product Diagram**