

**“Basin”**

**Undermount Vanity**

**Features**

- Genuine Vitreous China
- Undermount Installation
- ADA-Compliant  
(when installed according to ADA mounting guidelines)
- Single Compartment
- Rectangular Bowl with Rounded Corners



**Dimensions**

Outer: 20-7/8" x 13-5/8" x 7-1/4"  
Inner: 18-3/4" x 11-1/2" x 5-1/2"

Model Number	Description	Color / Finish
YES533	Undermount Sink	White
YES535	Undermount Sink	Bisque

**Included Components**

- Cut-out template

Available Colors



**Optional Accessories**

- Pop-Up Drain
- Mounting Clips

**Codes / Standards Applicable**

Specified model meets or exceeds UPC certification



**Product Specification**

This undermount vanity sink shall be 20-7/8" in length and 13-5/8" in width, with an overall depth of 7-1/4" and a bowl depth of 5-1/2". Sink shall be a single compartment with rounded rectangular bowl, composed of Vitreous China.

Sink shall be ADA-Compliant when installed according to ADA mounting guidelines. Sink shall be Continental Model "Basin".

**TECHNICAL INFORMATION**

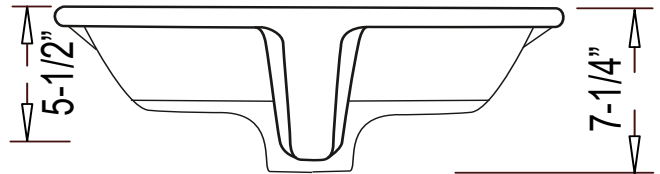
Fixture*	
Basin Area	18-3/4" x 11-1/2"
Water Depth	5-1/2"
Drain Hole	1-1/2" D
*Approximate measurements for comparison only.	

*Please note: All porcelain sinks are fired at a very high temperature; final dimensions may vary slightly.*

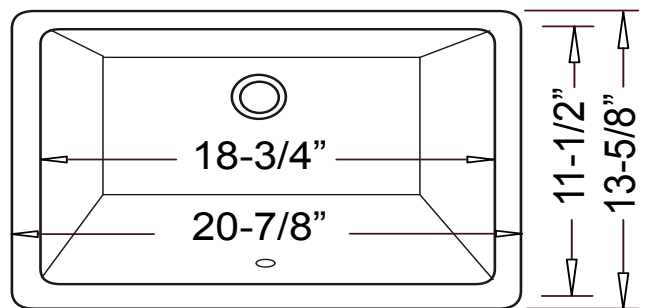


**Installed Product Image**

**Front View**



**Top View**



**Product Diagram**