

CH12x0 - "Canoe"

Vessel Vanity

Features

- Genuine Vitreous China
- Counter Surface Installation
- Single Compartment
- Round Bowl



Dimensions

Outer: 23-1/4" x 15" x 7-1/2"
Inner: Slope to 14-1/2" x 4-3/4"

Model - "Canoe"	Description	Colors / Finishes
CH1210	Vessel Vanity Sink	White
CH1220	Vessel Vanity Sink	Bisque
CH1230	Vessel Vanity Sink	Black

Included Components

- Cut-out template

Available Colors



Optional Accessories

- Pop-Up Drain
- Mounting Clips

Product Specification

The vessel vanity sink shall be 23-1/2" in width and 15-1/2" in length, with an overall depth of 7-1/2" and a bowl depth of 4-3/4". Sink shall be a single compartment with oval inward sloping bowl, composed of Vitreous China. Sink shall be Continental Models CH1210, CH1220 and CH1230, "Canoe".

CH12x0 - "Canoe"

TECHNICAL INFORMATION

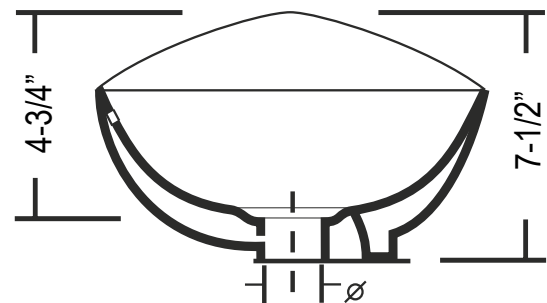
Fixture*	
Basin Area	Slope to 14-1/2" x 4-3/4"
Water Depth	4-3/4"
Drain Hole	1-7/8" D
*Approximate measurements for comparison only.	

Please note: All porcelain sinks are fired at a very high temperature; final dimensions may vary slightly.

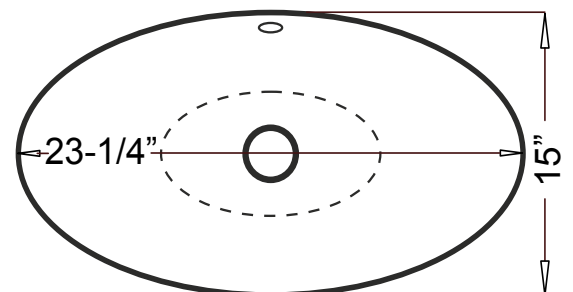


Product Image

Side View



Top View



Product Diagram