

CH19x0 - "Frame"

Undercounter Vanity

Features

- Genuine Vitreous China
- Undercounter
- ADA-Compliant
(when installed according to ADA mounting guidelines)
- Single Compartment
- Rectangular Shaped Bowl
- Dual-Mountable - Overflow can be positioned in front or back



Dimensions

Outer: 20" x 16" x 7"

Inner: 17-1/4" x 13-1/8" x 4-1/2"

Model - "Frame"	Description	Colors / Finishes
CH1910	Undercounter Sink	White
CH1930	Undercounter Sink	Bisque

Included Components

- Cut-out template

Available Colors



Optional Accessories

- Pop-Up Drain
- Mounting Clips

Codes / Standards Applicable

Specified model meets or exceeds UPC certification



Product Specification

The undercounter vanity sink shall be 20" in length and 16" in width, with an overall depth of 7" and a bowl depth of 4-1/2". Sink shall be a single compartment with oval bowl, composed of Vitreous China. Sink shall be ADA-Compliant when installed according to ADA mounting guidelines. Sink shall be Continental Models CH433, CH435 and CH455, "Frame".

CH19x0 - "Frame"

TECHNICAL INFORMATION

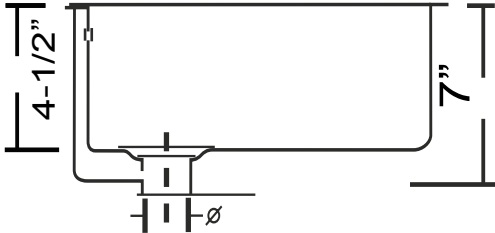
Fixture*	
Basin Area	17-1/4" x 13-1/8"
Water Depth	4-1/2"
Drain Hole	1-7/8" D
*Approximate measurements for comparison only.	

Please note: All porcelain sinks are fired at a very high temperature; final dimensions may vary slightly.

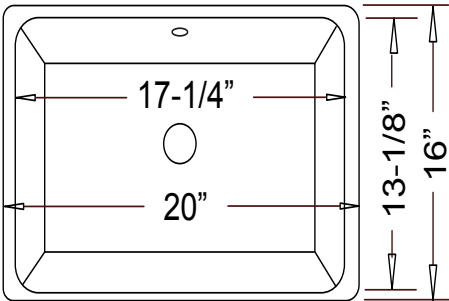


Product Image

Side View



Top View



Product Diagram