

CH3x0-3 - "Daisy 3-Hole"

Drop-In Vanity

Features

- Genuine Vitreous China
- Drop-In
- Single Compartment
- Oval Shaped Bowl



Dimensions

Outer: 22-3/8" x 18-1/4" x 8-1/2"
Inner: 18-1/4" x 12-3/8" x 6"

Model - "Daisy 3-Hole"	Description	Colors / Finishes
CH300-3	Drop-In Sink	White
CH310-3	Drop-In Sink	Bisque

Included Components

- Cut-out template

Available Colors



Optional Accessories

- Pop-Up Drain
- Mounting Clips

Codes / Standards Applicable

Specified model meets or exceeds UPC certification



Product Specification

The drop-in vanity sink shall be 22-3/8" in width and 18-1/4" in length, with an overall depth of 8-1/2" and an inner bowl depth of 6". Sink shall be a single compartment with oval bowl, composed of Vitreous China, possessing three faucet mounting holes for a 4" spread. Sink shall be Continental Models CH300-3, and CH310-3, "Daisy 3-Hole".

CH3x0-3 - "Daisy 3-Hole"

TECHNICAL INFORMATION

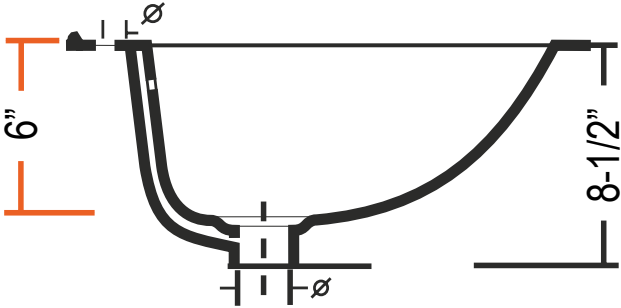
Fixture*	
Basin Area	18-1/4" x 12-3/8"
Water Depth	6"
Drain Hole	1 7/8" D
*Approximate measurements for comparison only.	

Please note: All porcelain sinks are fired at a very high temperature; final dimensions may vary slightly.

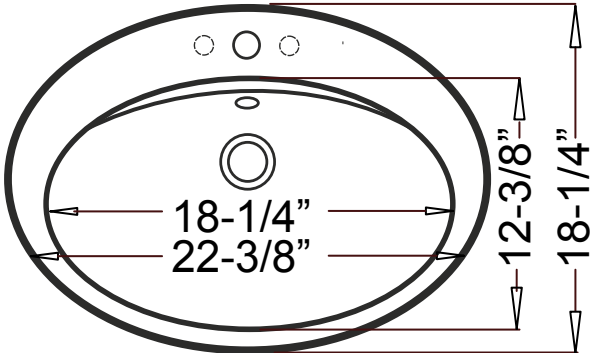


Product Image

Side View



Top View



Product Diagram