

**CH53x - "Basin"**

**Undercounter Vanity**

**Features**

- Genuine Vitreous China
- Undercounter
- ADA-Compliant  
(when installed according to ADA mounting guidelines)
- Single Compartment
- Rectangular Bowl with Rounded Corners



Dimensions

Outer: 20-3/4" x 13-3/4" x 7"  
Inner: 18-1/2" x 11-1/2" x 5-1/2"

Model - "Basin"	Description	Colors / Finishes
CH533	Undercounter Sink	White
CH535	Undercounter Sink	Bisque
CH551	Undercounter Sink	Black

**Included Components**

- Cut-out template

Available Colors



**Optional Accessories**

- Pop-Up Drain
- Mounting Clips

**Codes / Standards Applicable**

Specified model meets or exceeds UPC certification



**Product Specification**

The undercounter vanity sink shall be 20-3/4" in length and 13-3/4" in width, with an overall depth of 7" and a bowl depth of 5-1/2". Sink shall be a single compartment with oval bowl, composed of Vitreous China. Sink shall be ADA-Compliant when installed according to ADA mounting guidelines. Sink shall be Continental Models CH533, CH535 and CH551, "Basin".

# CH53x - "Basin"

## TECHNICAL INFORMATION

Fixture*	
Basin Area	18-1/2" x 11-1/2"
Water Depth	5-1/2"
Drain Hole	1-1/2" D

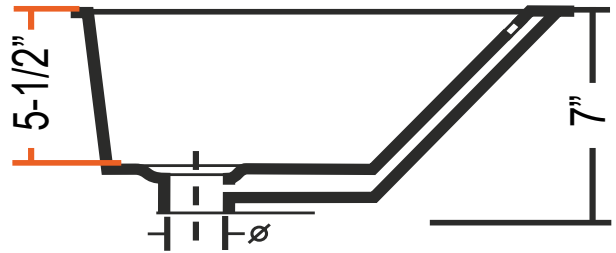
\*Approximate measurements for comparison only.

Please note: All porcelain sinks are fired at a very high temperature; final dimensions may vary slightly.

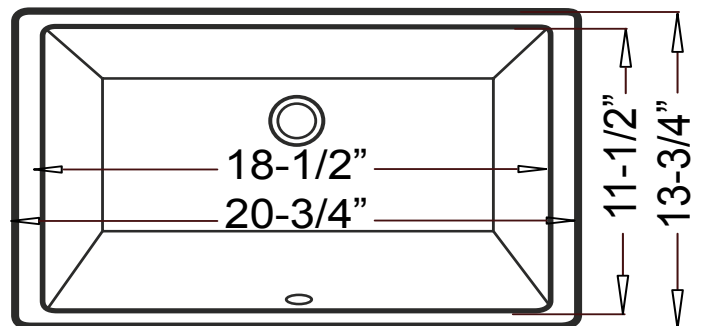


Product Image

Side View



Top View



Product Diagram