

CH65x0 - "Cone"

Vessel Vanity

Features

- Genuine Vitreous China
- Counter Surface Installation
- Single Compartment
- Round Bowl



Dimensions

Outer: 18-1/2" x 18-1/2" x 6-1/4"
Inner: 17-1/2" x 13-1/2" x 4-1/2"

Model - "Cone"	Description	Colors / Finishes
CH6510	Vessel Vanity Sink	White
CH6520	Vessel Vanity Sink	Bisque
CH6530	Vessel Vanity Sink	Black

Included Components

- Cut-out template

Available Colors



Optional Accessories

- Pop-Up Drain
- Mounting Clips

Product Specification

The vessel vanity sink shall be 18-1/2" in width and 18-1/2" in length, with an overall depth of 6-1/4" and a bowl depth of 4-1/2". Sink shall be a single compartment with kidney shaped bowl, composed of Vitrious China. Sink shall be Continental Models CH6510, CH6520 and CH6530, "Cone".

CH65x0 - "Cone"

TECHNICAL INFORMATION

Fixture*	
Basin Area	17-1/2" x 13-1/2"
Water Depth	4-1/2"
Drain Hole	1-7/8" D

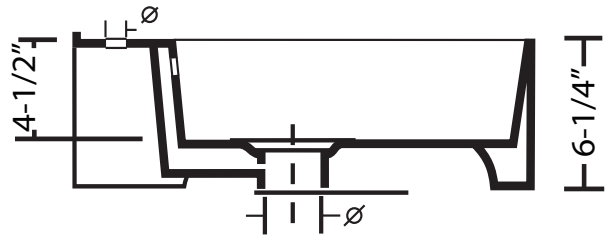
*Approximate measurements for comparison only.

Please note: All porcelain sinks are fired at a very high temperature; final dimensions may vary slightly.

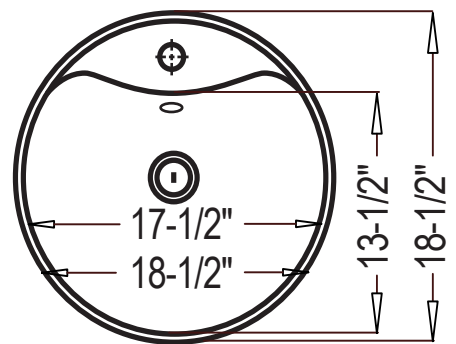


Product Image

Side View



Top View



Product Diagram