

CH83x - "Acorn"

Undercounter Vanity

Features

- Genuine Vitreous China
- Undercounter
- ADA-Compliant
(when installed according to ADA mounting guidelines)
- Single Compartment
- Oval Shaped Bowl



Dimensions

Outer: 16-7/8" x 13-7/8" x 7-3/4"
Inner: 14-7/8" x 11-7/8" x 6"

Model - "Acorn"	Description	Colors / Finishes
CH833	Undercounter Sink	White
CH835	Undercounter Sink	Bisque
CH851	Undercounter Sink	Black

Included Components

- Cut-out template

Available Colors



Optional Accessories

- Pop-Up Drain
- Mounting Clips

Codes / Standards Applicable

Specified model meets or exceeds UPC and ASME certifications



Product Specification

The undercounter vanity sink shall be 16-7/8" in width and 13-7/8" in length, with an overall depth of 7-3/4" and a bowl depth of 6". Sink shall be a single compartment with oval bowl, composed of Vitreous China. Sink shall be ADA-Compliant when installed according to ADA mounting guidelines. Sink shall comply with ASME A112.19-2-2013, and CSA B45.1-13 ceramic plumbing fixtures. Sink shall be ADA-Compliant. Sink shall be Continental Models CH833, CH835 and CH851, "Acorn".

CH83x - "Acorn"

TECHNICAL INFORMATION

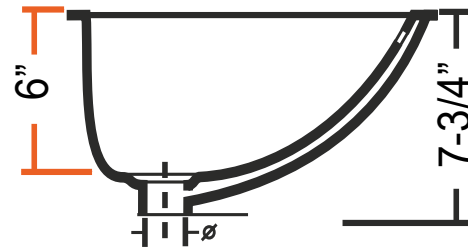
Fixture*	
Basin Area	14-7/8" x 11-7/8"
Water Depth	6"
Drain Hole	1-7/8" D
*Approximate measurements for comparison only.	

Please note: All porcelain sinks are fired at a very high temperature; final dimensions may vary slightly.

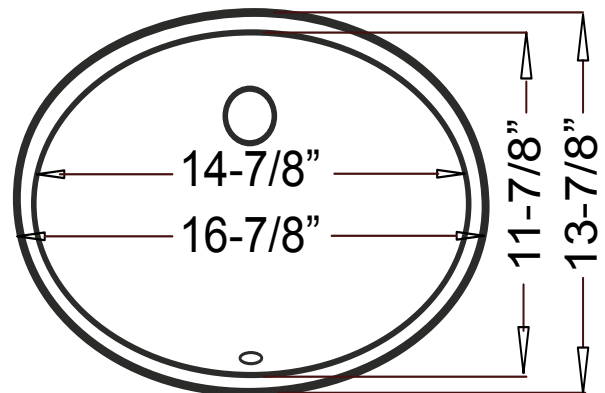


Product Image

Top View



Side View



Product Diagram