

CH88x - "Bud"

Undercounter Vanity

Features

- Genuine Vitreous China
- Undercounter
- ADA-Compliant
(when installed according to ADA mounting guidelines)
- Single Compartment
- Oval Shaped Bowl



Dimensions

Outer: 15-1/2" x 13-1/2" x 8"
Inner: 13-1/2" x 11-1/2" x 6-1/4"

Model - "Bud"	Description	Colors / Finishes
CH883	Undercounter Vanity Sink	White
CH885	Undercounter Vanity Sink	Bisque

Included Components

- Cut-out template

Available Colors



Optional Accessories

- Pop-Up Drain
- Mounting Clips

Codes / Standards Applicable

Specified model meets or exceeds ASME certification



Product Specification

The undercounter vanity sink shall be 15-1/2" in width and 13-1/2" in length, with an overall depth of 8" and a bowl depth of 6-1/4". Sink shall be a single compartment with oval bowl, composed of Vitreous China. Sink shall be ADA-Compliant when installed according to ADA mounting guidelines. Sink shall comply with ASME A112.19-2-2013, and CSA B45.1-13 ceramic plumbing fixtures. Sink shall be Continental Models CH883 and CH885, "Bud".

TECHNICAL INFORMATION

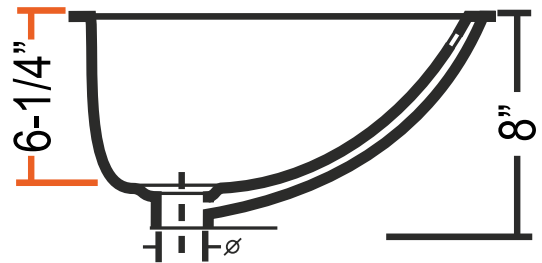
Fixture*	
Basin Area	13-1/2" x 11-1/2"
Water Depth	6-1/4"
Drain Hole	1-7/8" D
*Approximate measurements for comparison only.	

Please note: All porcelain sinks are fired at a very high temperature; final dimensions may vary slightly.

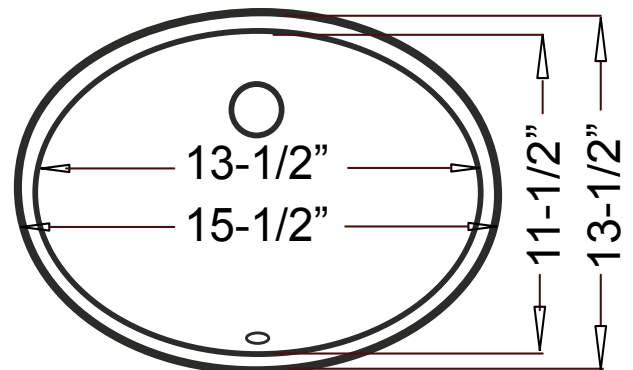


Product Image

Side View



Top View



Product Diagram