

CH966 - "Oval ADA"

Undercounter Vanity

Features

- Genuine Vitreous China
- Undercounter
- ADA-Compliant
(when installed according to ADA mounting guidelines)
- Single Compartment
- Oval Shaped Bowl



Dimensions

Outer: 19" x 16" x 5-1/2"

Inner: 16-1/2" x 13-1/2" x 3-1/2"

Model - "Oval ADA"	Description	Colors / Finishes
CH966	Undercounter Sink	White

Included Components

- Cut-out template

Available Colors

White

Optional Accessories

- Pop-Up Drain
- Mounting Clips

Product Specification

The undercounter vanity sink shall be 19" in width and 16" in length, with an overall depth of 5-1/2" and a bowl depth of 3-1/8". Sink shall be a single compartment with oval bowl, composed of Vitreous China. Sink shall be ADA-Compliant when installed according to ADA mounting guidelines. Sink shall be Continental Model CH966, "Oval ADA".

CH966 - "Oval ADA"

TECHNICAL INFORMATION

Fixture*	
Basin Area	16-1/4" x 13-3/8"
Water Depth	3-1/8"
Drain Hole	1-7/8" D

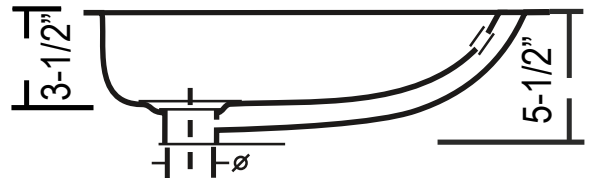
*Approximate measurements for comparison only.

Please note: All porcelain sinks are fired at a very high temperature; final dimensions may vary slightly.

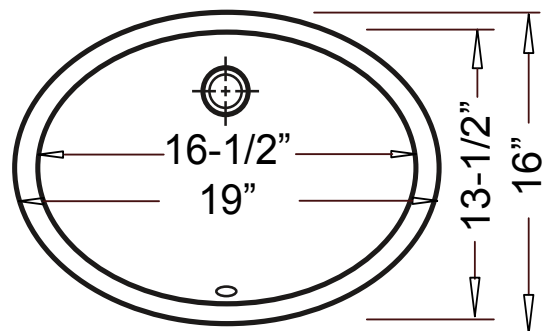


Product Image

Side View



Top View



Product Diagram