

“Contour”

Vessel Vanity

Features

- Genuine Vitreous China
- Counter Surface Installation
- Single Compartment
- Round Bowl



Dimensions

Outer: 16-1/2" x 16-1/2" x 5-3/8"
Inner: 15-1/8" x 15-1/8" x 4"

Model Number	Description	Color / Finish
CH5110	Vessel Vanity Sink	White
CH5120	Vessel Vanity Sink	Bisque
CH5130	Vessel Vanity Sink	Black

Included Components

- Cut-out template

Available Colors



Optional Accessories

- Pop-Up Drain
- Mounting Clips

Codes / Standards Applicable

Specified model meets or exceeds UPC certification



Product Specification

The vessel vanity sink shall be 18-1/2" in diameter, with an overall depth of 5-3/8" and a bowl depth of 4". Sink shall be a single compartment with inward sloping bowl, composed of Vitrious China. Sink shall be Continental Model "Contour".

TECHNICAL INFORMATION

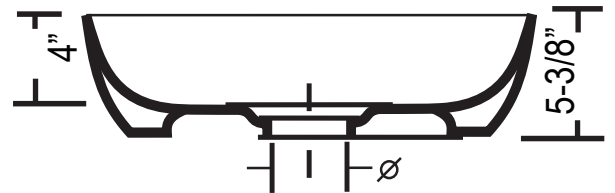
Fixture*	
Basin Area	15-1/8" x 15-1/8"
Water Depth	4"
Drain Hole	1-7/8" D
*Approximate measurements for comparison only.	

Please note: All porcelain sinks are fired at a very high temperature; final dimensions may vary slightly.

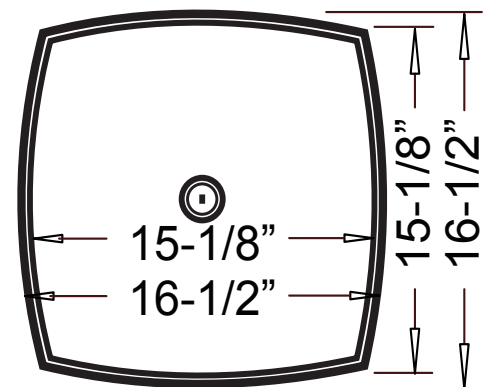


Installed Product Image

Side View



Top View



Product Diagram