

“Lotus”

Undermount Vanity

Features

- Genuine Vitreous China
- Undermount Installation
- ADA-Compliant
(when installed according to ADA mounting guidelines)
- Single Compartment
- Oval Shaped Bowl



Dimensions

Outer: 19-3/8" x 15-3/4" x 8-1/4"
Inner: 17-3/8" x 14-1/4" x 6-1/2"

Model Number	Description	Color / Finish
YES933	Undermount Sink	White
YES935	Undermount Sink	Bisque

Included Components

- Cut-out template

Available Colors



Optional Accessories

- Pop-Up Drain
- Mounting Clips

Codes / Standards Applicable

Specified model meets or exceeds UPC and ASME certifications



Product Specification

This undermount vanity sink shall be 19-3/8" in width and 15-3/4" in length, with an overall depth of 8-1/4" and a bowl depth of 6-1/2". Sink shall be a single compartment with oval bowl, composed of Vitreous China. Sink shall be ADA-Compliant when installed according to ADA mounting guidelines. Sink shall comply with ASME A112.19-2-2013, and CSA B45.1-13 ceramic plumbing fixtures. Sink shall be Continental Model "Lotus".

TECHNICAL INFORMATION

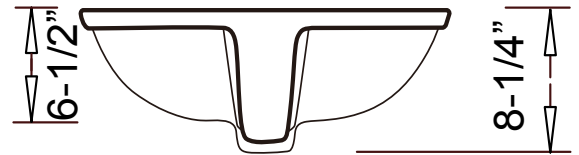
Fixture*	
Basin Area	17-3/8" x 14-1/4"
Water Depth	6-1/2"
Drain Hole	1-7/8" D
*Approximate measurements for comparison only.	

Please note: All porcelain sinks are fired at a very high temperature; final dimensions may vary slightly.

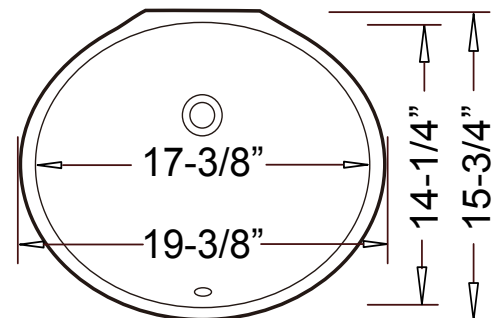


Installed Product Image

Front View



Top View



Product Diagram