

“Pace”

Vessel Vanity

Features

- Genuine Vitreous China
- Counter Surface Installation
- Single Compartment
- Rounded Rectangular Bowl



Dimensions

Outer: 15" x 15" x 5-3/8"
Inner: 13-3/4" x 13-3/4" x 4-1/2"

| Model Number | Description | Color / Finish |
|--------------|--------------------|----------------|
| CH555 | Vessel Vanity Sink | White |

Included Components

- Cut-out template

Available Colors

White

Optional Accessories

- Pop-Up Drain
- Mounting Clips

Codes / Standards Applicable

Specified model meets or exceeds UPC certification



Product Specification

The vessel vanity sink shall be 15" in width and 15" and length, with an overall depth of 5-3/8" and a bowl depth of 4-1/2". Sink shall be a single compartment with rounded rectangular bowl, composed of Vitreous China. Sink shall be Continental Model "Pace".

TECHNICAL INFORMATION

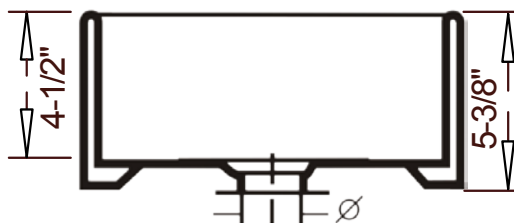
| Fixture* | |
|--|-------------------|
| Basin Area | 13-3/4" x 13-3/4" |
| Water Depth | 4-1/2" |
| Drain Hole | 1-7/8" D |
| *Approximate measurements for comparison only. | |

Please note: All porcelain sinks are fired at a very high temperature; final dimensions may vary slightly.

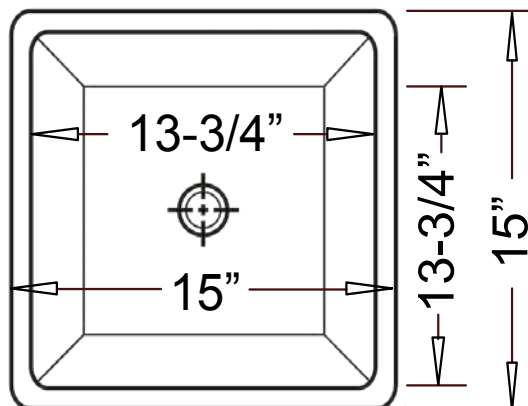


Installed Product Image

Side View



Top View



Product Diagram