

“Palm”

Drop-In Vanity

Features

- Genuine Vitreous China
- Drop-In
- Single Compartment
- Round Bowl



Dimensions

Outer: 22" x 18-1/8" x 9-1/2"
Inner: 18-1/4" x 10-1/2 x 6-3/4"

Model Number	Description	Color / Finish
CH570	Drop-In Sink	White
CH571	Drop-In Sink	Bisque
CH572	Drop-In Sink	Black

Included Components

- Cut-out template

Available Colors



Optional Accessories

- Pop-Up Drain
- Mounting Clips

Codes / Standards Applicable

Specified model meets or exceeds UPC certification



Product Specification

The drop-in vanity sink shall be 22" in width and 18-1/8" in length, with an overall depth of 9-1/2" and a bowl depth of 6-3/4". Sink shall be a single compartment with round bowl, composed of Vitrious China. Sink shall be Continental Model "Palm".

TECHNICAL INFORMATION

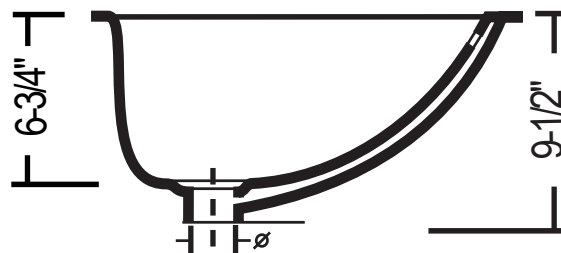
Fixture*	
Basin Area	18-1/4" x 10-1/2"
Water Depth	6-3/4"
Drain Hole	1-7/8" D
*Approximate measurements for comparison only.	

Please note: All porcelain sinks are fired at a very high temperature; final dimensions may vary slightly.

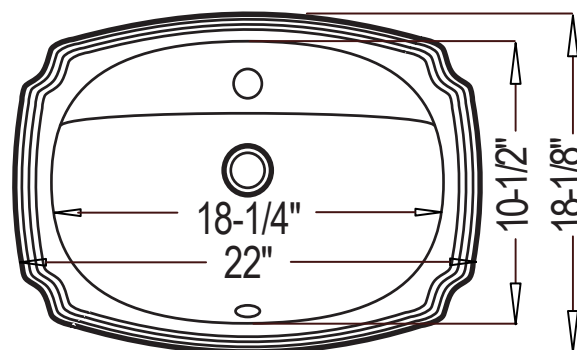


Installed Product Image

Side View



Top View



Product Diagram