

DI-869

Drop-In Kitchen

Features

- Certified 304 Grade Surgical Stainless Steel
- Drop-In Style
- Single Compartment
- Rounded Bowl
- Unique sound-deadening system with sound pads and a special coating
- Lustrous and enduring finish which compliments any decor
- Limited lifetime warranty



--- Dimensions ---	
Outer:	33" x 22" x 9"
Inner:	29-1/2" x 16" x 9"

Model	Description	Colors / Finishes
Drop-In DI-869	Drop-In Sink	N/A

Included Components

- Mounting Clips
- Cut-out template

Colors / Finishes

- N/A None Applicable

Optional Accessories

- Standard Strainer
- Premium Strainer
- Sink Grid

Product Specification

This sink shall be a single compartment with rounded bowl. It shall be 33" in length and 22" in width, with an overall depth of 9". Sink shall be made of 304 Grade Surgical Stainless Steel. Sink shall include mounting clips and cut-out template. Sink shall be Drop-In Model DI-869.

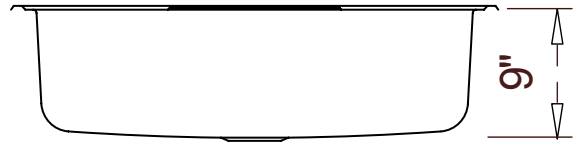
TECHNICAL INFORMATION

Fixture*	
Basin Area	29-1/2" x 16"
Water Depth	9"
Drain Hole	3-5/8" D
*Approximate measurements for comparison only.	

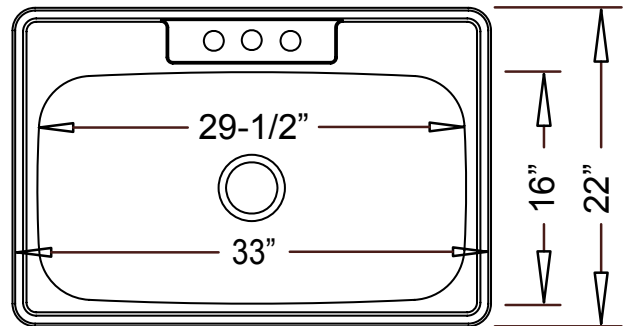


Product Image

Front View



Top View



Product Diagram