

DI-9668

Drop-In Kitchen

Features

- Certified 304 Grade Surgical Stainless Steel
- Drop-In Style
- Available in 1 and 4 faucet hole configurations
- Single Compartment
- Rounded Bowl
- Unique sound-deadening system with sound pads and a special coating
- Lustrous and enduring finish which compliments any decor
- Limited lifetime warranty



(4-Hole Configuration Shown)

--- Dimensions ---	
Outer:	25" x 22" x 8"
Inner:	21" x 15-3/4" x 8"

Model	Description	Colors / Finishes
DI-9668-1	Drop-In Sink w/1 Faucet Hole Configuration	N/A
DI-9668-4	Drop-In Sink w/4 Faucet Hole Configuration	N/A

Included Components

- Mounting Clips
- Cut-out template

Colors / Finishes

- N/A None Applicable

Optional Accessories

- Standard Strainer
- Premium Strainer
- Sink Grid

Codes / Standards Applicable

Specified model meets or exceeds the following:

- UPC Certified
- CSA Certified



Product Specification

This sink shall be a single compartment with rounded bowl. It shall be 25" in length and 22" in width, with an overall depth of 8". Sink shall be made of 304 Grade Surgical Stainless Steel. Sink shall include mounting clips and cut-out template. Sink shall be Models DI-9668-1 and DI-9668-4.

TECHNICAL INFORMATION

Fixture*	
Basin Area	21" x 15-3/4"
Water Depth	8"
Drain Hole	3-5/8" D
*Approximate measurements for comparison only.	

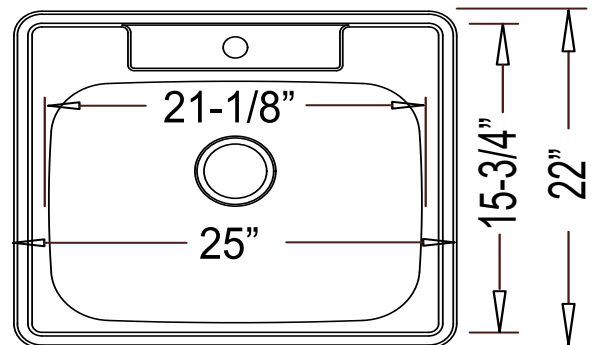


Product Image
(4-Hole Configuration Shown)

Front View



Top View



Product Diagram
(1-Hole Configuration Shown)