

### Specification Sheet

### FA3305 - "Elgin"

#### Features

- Certified 304 Grade 16 Gauge Stainless Steel.
- Undercounter Style
- Single Compartment
- Small D-Shaped Bowl
- Unique sound-deadening system with sound pads and a special coating.
- Lustrous and enduring finish which compliments any decor.
- Limited lifetime warranty.

#### Undercounter Kitchen



--- Dimensions ---

Outer

19-3/4" x 20-1/2" x 9"

Inner

17-3/4" x 18-1/2" x 9"

Model	Description	Colors / Finishes
FA3305 "Elgin"	Undercounter Sink	N/A

#### Included Components

- Mounting Clips
- Cut-out template

#### Colors / Finishes

- N/A

#### Optional Accessories

- Standard Strainer
- Premium Strainer
- Sink Grid

#### Codes / Standards Applicable

Specified model meets or exceeds the following:

- UPC Certified
- CSA Certified



#### Product Specification

This undercounter sink shall be a single compartment with small "D-Shaped" rounded bowl. It shall be 19-3/4" in length and 20-1/2" in width, and a depth of 9". Sink shall be made of 16 gauge stainless steel. Sink shall include installation hardware. Sink shall be Futura Model FA3305, "Elgin".

**TECHNICAL INFORMATION**

Fixture*	
Basin Area	17-3/4" x 18-1/2"
Water Depth	9"
Drain Hole	3-5/8" D

\*Approximate measurements for comparison only.

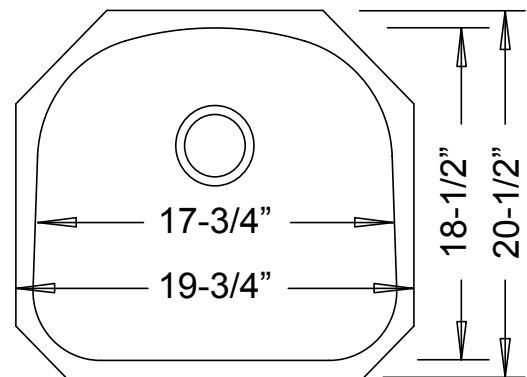


**Product Image**

**Side View**



**Top View**



**Product Diagram**