

Specification Sheet

FA4405 - "Canton"

Features

- Certified 304 Grade 16 Gauge Stainless Steel.
- Undercounter Style
- Single Compartment
- D-Shaped Bowl
- Unique sound-deadening system with sound pads and a special coating.
- Lustrous and enduring finish which compliments any decor.
- Limited lifetime warranty.

Undercounter Kitchen



--- Dimensions ---

Outer

23-1/4" x 20-7/8" x 9"

Inner

21-1/4" x 18-7/8" x 9"

Model	Description	Colors / Finishes
FA4405 "Canton"	Undercounter Sink	N/A

Included Components

- Mounting Clips
- Cut-out template

Colors / Finishes

- N/A

Optional Accessories

- Standard Strainer
- Premium Strainer
- Sink Grid

Codes / Standards Applicable

Specified model meets or exceeds the following:

- UPC Certified
- CSA Certified



Product Specification

This undercounter sink shall be a single compartment with "D-Shaped" rounded bowl. It shall be 23-1/4" in length and 20-7/8" in width, and a depth of 9". Sink shall be made of 16 gauge stainless steel. Sink shall include installation hardware. Sink shall be Futura Model FA4405, "Canton".

FA4405 - "Canton"

TECHNICAL INFORMATION

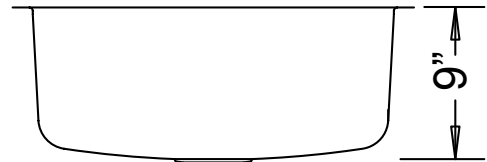
Fixture*	
Basin Area	21-1/4" x 18-7/8"
Water Depth	9"
Drain Hole	3-5/8" D

*Approximate measurements for comparison only.

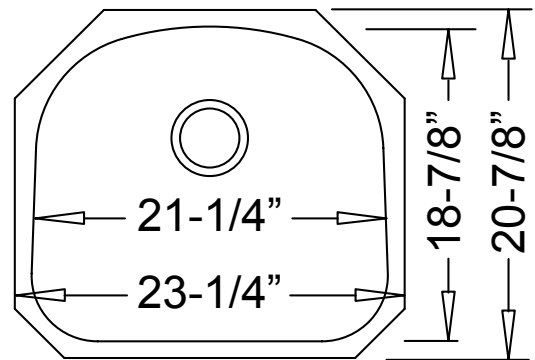


Product Image

Side View



Top View



Product Diagram