

### Features

- Certified 304 Grade 15 gauge stainless steel.
- Handmade farmhouse design.
- Single compartment.
- Available in either “Zero Edge”, or R15mm rounded “Radial” inside corners.
- Unique sound-deadening system with sound pads and a special coating.
- Lustrous and enduring finish which compliments any decor.
- Limited lifetime warranty.

### “Handmade” Farmhouse Kitchen



Shown with “Zero-Edge” corners

--- Dimensions ---  
 Outer  
 23” x 18” x 10”  
 Inner  
 21” x 16” x 10”

Model	Description	Colors / Finishes
HBS2318-N - “Alto”	Handmade Farmhouse Sink with “Zero Edge” Corners	N/A
HR-HBS2318B-N - “Alto Radial”	Handmade Farmhouse Sink with R15mm inside “Radial” Corners	N/A

### Included Components

- Mounting Clips
- Cut-out template

### Colors / Finishes

- N/A None Applicable

### Optional Accessories

- Sink Grid #GD-135
- LI-XD Strainer w/ Basket

### Codes / Standards Applicable

Specified model meets or exceeds the following:

- UPC Certified



### Product Specification

This handmade farmhouse sink shall be a single compartment with rectangular bowl, featuring either “Zero-Edge”, or R15mm rounded “Radial” inside corners. Sink shall be 23” in length and 18” in width, with a bowl depth of 10”.

Sink shall be made of 15 gauge stainless steel. Sink shall include installation hardware.

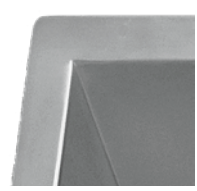
Sink shall be Homeplace Models HBS2318-N, “Alto”, and HR-HBS2318B-N, “Alto Radial”.

**TECHNICAL INFORMATION**

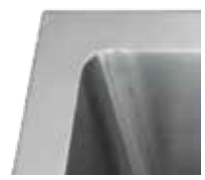
Fixture*	
Basin Area	21" x 16"
Water Depth	10"
Drain Hole	3-5/8" D
*Approximate measurements for comparison only.	



**Product Image**  
(Shown with “Zero-Edge” corners)



**“Zero-Edge”  
Corner Detail**

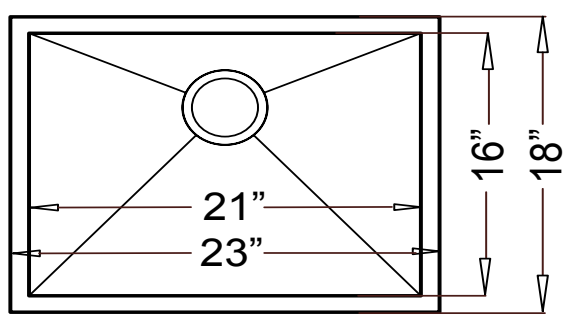


**R15mm “Radial”  
Corner Detail**

**Front View**



**Top View**



**Product Diagram**  
(Shown with “Zero-Edge” corners)