

HA120 - "Bowie"

Features

- Certified 304 Grade 15 gauge stainless steel.
- Handmade farmhouse design.
- Dual compartments.
- Rectangular bowls with square inside corners.
- Unique sound-deadening system with sound pads and a special coating.
- Lustrous and enduring finish which compliments any decor.
- Limited lifetime warranty.

Farmhouse Kitchen



--- Dimensions ---

Outer

32" x 19" x 10"

Left Bowl

14-1/2" x 17" x 10"

Right Bowl

14-1/2" x 17" x 10"

Model	Description	Colors / Finishes
HA120 "Bowie"	Handmade Farmhouse Sink	N/A

Included Components

- Mounting Clips
- Cut-out template

Colors / Finishes

- N/A None Applicable

Optional Accessories

- Standard Strainer
- Premium Strainer
- Sink Grid

Codes / Standards Applicable

Specified model meets or exceeds the following:

- UPC Certified



Product Specification

This handmade farmhouse sink shall be a dual compartment with rectangular bowls, featuring square inside corners. It shall be 30" in length and 18" in width, with each bowl having a depth of 10". Sink shall be made of 15 gauge stainless steel. Sink shall include installation hardware. Sink shall be Homeplace Model HA120, "Bowie".

HA120 - "Bowie"

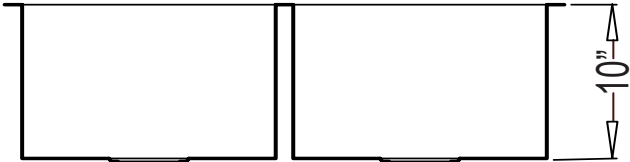
TECHNICAL INFORMATION

Fixture*	
Basin Area (Left Bowl)	14-1/2" x 17"
Basin Area (Right Bowl)	14-1/2" x 17"
Water Depth (Left Bowl)	10"
Water Depth (Right Bowl)	10"
Drain Hole (Each Bowl)	3-5/8" D
*Approximate measurements for comparison only.	

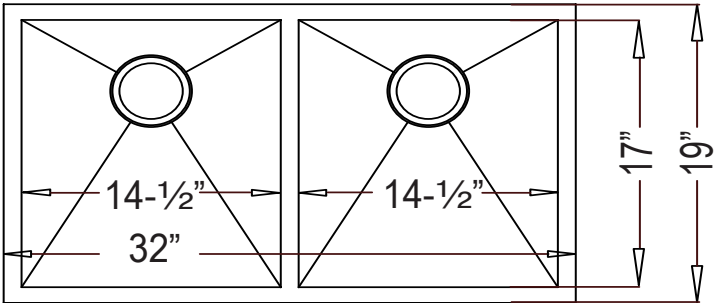


Product Image

Front View



Top View



Product Diagram