

### HBB1520 - "Carthage"

#### Features

- Certified 304 Grade 15 gauge stainless steel.
- Handmade farmhouse design.
- Single compartment.
- Rectangular Bowl with square corners.
- Unique sound-deadening system with sound pads and a special coating.
- Lustrous and enduring finish which compliments any decor.
- Limited lifetime warranty.

#### Farmhouse Kitchen



--- Dimensions ---  
Outer  
15" x 20" x 10"  
Inner  
13" x 18" x 10"

Model	Description	Colors / Finishes
HBB1520 "Carthage"	Handmade Farmhouse Sink	N/A

#### Included Components

- Mounting Clips
- Cut-out template

#### Colors / Finishes

- N/A None Applicable

#### Optional Accessories

- Standard Strainer
- Premium Strainer
- Sink Grid

#### Codes / Standards Applicable

Specified model meets or exceeds the following:

- UPC Certified



#### Product Specification

This handmade farmhouse sink shall be a single compartment with rectangular bowl, featuring square inside corners. It shall be 15" in length and 20" in width, with a bowl depth of 10". Sink shall be made of 15 gauge stainless steel. Sink shall include installation hardware. Sink shall be Homeplace Model HBB1520, "Carthage".

# HBB1520 - "Carthage"

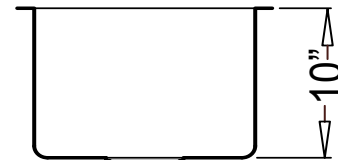
## TECHNICAL INFORMATION

Fixture*	
Basin Area	13" x 18"
Water Depth	10"
Drain Hole	3-5/8" D
*Approximate measurements for comparison only.	

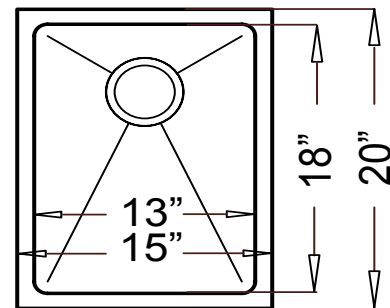


Product Image

Front View



Top View



Product Diagram