

HFO3320 - "Cleveland"

Features

- Certified 304 Grade 15 Gauge Stainless Steel.
- Handmade farmhouse flat front apron design.
- Dual Compartments.
- Rectangular Bowls with square corners.
- Unique sound-deadening system with sound pads and a special coating.
- Lustrous and enduring finish which compliments any decor.
- Limited lifetime warranty.

Farmhouse Flat Front Apron Kitchen



--- Dimensions ---

Outer

33" x 20" x 10"

Left Bowl

17" x 18" x 10"

Right Bowl

13" x 18" x 10"

Model	Description	Colors / Finishes
HFO3320 - "Cleveland"	Handmade Farmhouse Flat Front Apron Sink	N/A

Included Components

- Mounting Clips
- Cut-out template

Colors / Finishes

- N/A None Applicable

Optional Accessories

- Standard Strainer
- Premium Strainer
- Sink Grid

Codes / Standards Applicable

Specified model meets or exceeds the following:

- UPC Certified



Product Specification

This handmade farmhouse flat front apron sink shall be a dual compartment with rectangular bowls, featuring square inside corners. Sink shall be 33" in length and 20" in width, with each bowl having a depth of 10". Sink shall be made of 15 gauge stainless steel. Sink shall include installation hardware. Sink shall be Homeplace Model HFO3320, "Cleveland".

HFO3320 - "Cleveland"

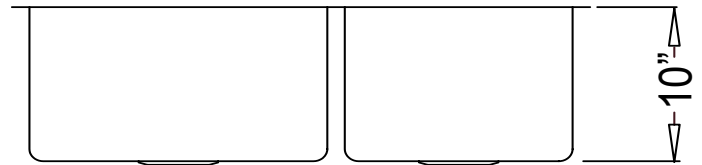
TECHNICAL INFORMATION

Fixture*	
Basin Area (Left Bowl)	17" x 18"
Basin Area (Right Bowl)	13" x 18"
Water Depth (Left Bowl)	10"
Water Depth (Right Bowl)	10"
Drain Hole (Each Bowl)	3-5/8" D
*Approximate measurements for comparison only.	

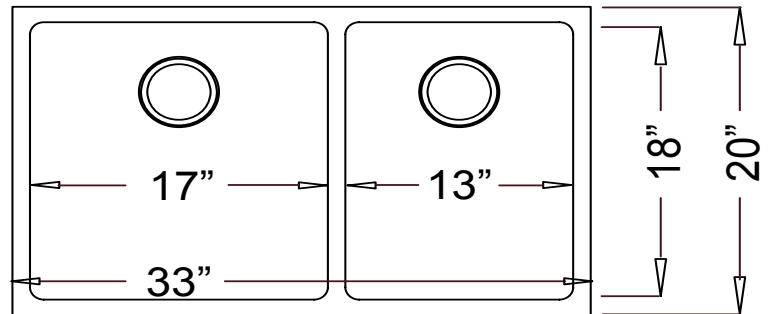


Product Image

Front View



Top View



Product Diagram