

HR-HA291B - "Henderson Radial"

Features

- Certified 304 Grade 15 Gauge Stainless Steel.
- Handmade Farmhouse Drop-In Design.
- Dual Compartments.
- Rectangular Bowls with 22° inside "radial" corners.
- Unique sound-deadening system with sound pads and a special coating.
- Lustrous and enduring finish which compliments any decor.
- Limited lifetime warranty.

Farmhouse Kitchen



--- Dimensions ---

Outer

33" x 22" x 9-1/2"

Left Bowl

14-1/2" x 16-1/2" x 9-1/2"

Right Bowl

14-1/2" x 16-1/2" x 9-1/2"

| Model | Description | Colors / Finishes |
|------------------------------|-------------------------|-------------------|
| HR-HA291B "Henderson Radial" | Handmade Farmhouse Sink | N/A |

Included Components

- Mounting Clips
- Cut-out template

Colors / Finishes

- N/A None Applicable

Optional Accessories

- Standard Strainer
- Premium Strainer
- Sink Grid

Codes / Standards Applicable

Specified model meets or exceeds the following:

- UPC Certified



Product Specification

This handmade farmhouse drop-in sink shall be a dual compartment with rectangular bowls, featuring 18° inside "radial" corners. It shall be 33" in length and 22" in width, with each bowl having a depth of 9-1/2". Sink shall be made of 15 gauge stainless steel. Sink shall include installation hardware. Sink shall be Homeplace Model HR-HA291B, "Henderson Radial".

HR-HA291B - "Henderson Radial"

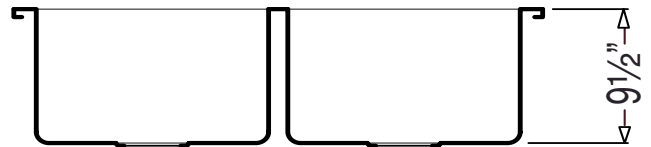
TECHNICAL INFORMATION

| Fixture* | |
|--|-------------------|
| Basin Area (Left Bowl) | 14-1/2" x 16-1/2" |
| Basin Area (Right Bowl) | 14-1/2" x 16-1/2" |
| Water Depth (Left Bowl) | 9-1/2" |
| Water Depth (Right Bowl) | 9-1/2" |
| Drain Hole (Each Bowl) | 3-5/8" D |
| *Approximate measurements for comparison only. | |

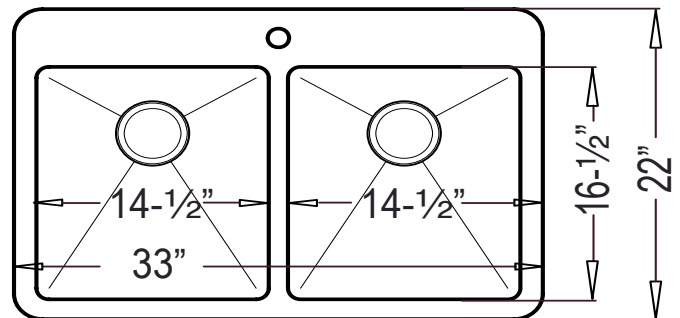


Product Image

Front View



Top View



Product Diagram