

HR-HBB1520B - "Carthage Radial"

Features

- Certified 304 Grade 15 gauge stainless steel.
- Handmade farmhouse design.
- Single compartment.
- Rectangular Bowl with 18° inside "radial" corners.
- Unique sound-deadening system with sound pads and a special coating.
- Lustrous and enduring finish which compliments any decor.
- Limited lifetime warranty.

Farmhouse Kitchen



--- Dimensions ---
Outer
15" x 20" x 10"
Inner
13" x 18" x 10"

Model	Description	Colors / Finishes
HR-HBB1520B "Carthage Radial"	Handmade Farmhouse Sink	N/A

Included Components

- Mounting Clips
- Cut-out template

Colors / Finishes

- N/A None Applicable

Optional Accessories

- Standard Strainer
- Premium Strainer
- Sink Grid

Codes / Standards Applicable

Specified model meets or exceeds the following:

- UPC Certified



Product Specification

This handmade farmhouse sink shall be a single compartment with rectangular bowl, featuring 18° inside "radial" corners. It shall be 15" in length and 20" in width, with a bowl depth of 10". Sink shall be made of 15 gauge stainless steel. Sink shall include installation hardware. Sink shall be Homeplace Model HR-HBB1520B, "Carthage Radial".

HR-HBB1520B - "Carthage Radial"

TECHNICAL INFORMATION

Fixture*	
Basin Area	13" x 18"
Water Depth	10"
Drain Hole	3-5/8" D
*Approximate measurements for comparison only.	

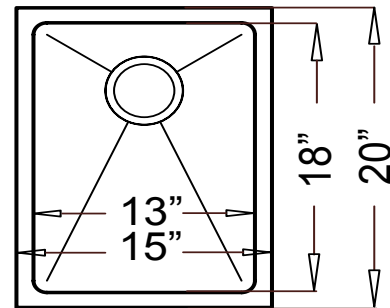


Product Image

Front View



Top View



Product Diagram